

## C Trio/Quattro Diverter Trim

Surfaces: **chrome** Article Number: **04222000**



### Description

#### product features

- scope of supply: handle, escutcheon, sleeve

#### Mandatory Accessoires

- Rough, Quattro 3-Way Diverter, 3/4" (#15930USA)
- Rough, Quattro Green 3-Way Diverter (no shared function), 3/4" (#15936USA)
- Rough, Trio 2-Way Diverter without Shut-Off, 3/4" (#15984USA)

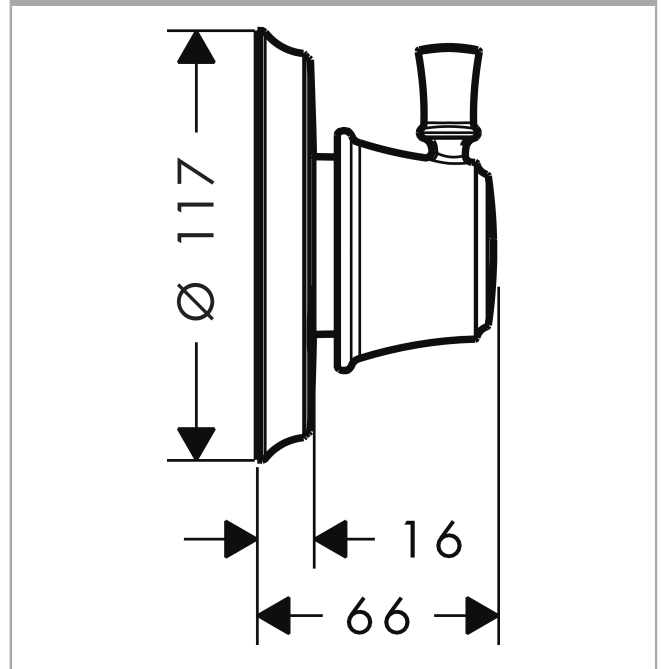
#### Optional Accessoires

- Extension set 25 mm (#96370XXX)

### Product image



### Scale drawing



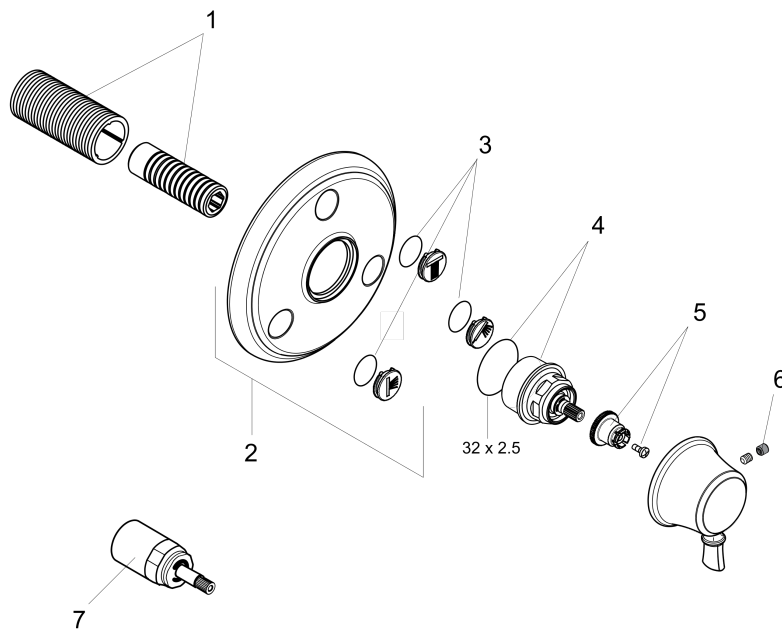
## C Trio/Quattro Diverter Trim

Surfaces: **chrome** Article Number: **04222000**



### Exploded Drawing

Year of production: &gt;12/09



## C Trio/Quattro Diverter Trim

Surfaces: **chrome** Article Number: **04222000**



### Spare part list

Year of production: >12/09

Pos.	Description	Article Number	PC	PU
1	fixing set	96392000	8	1
2	escutcheon	95649000	11	1
3	O-ring 13x2	98128000	1	1
4	nut	98677000	8	1
5	handle fixing set	94184000	2	1
6	screw cover	95181000	1	1
a	set of symbols	95238000	7	1
b	handle	88775000	0	1