

Product Features

- Thermostatic temperature control
- 100° F safety stop
- Volume control for one outlet
- 8 gpm @ 44 psi

Code Compliance

This unit meets or exceeds the following:

- ASME A112.18.1 / CSA B125.1
- ASSE 1016
- Listed by IAPMO
- Approved for use in Massachusetts

Available Finishes

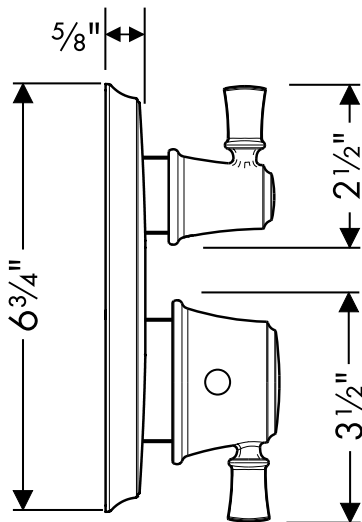
Chrome	04220000
Oil Rub Bronze	04220620
Brushed Nickel	04220820
Polished Nickel	04220830
Rubbed Bronze	04220920

Required Accessories

iBox Universal Plus	01850181
---------------------	----------

Optional Accessories

Shallow extension set	13956XX0
-----------------------	----------



The measurements shown are for reference only.

Products and specifications shown are subject to change without notice.

Specification sheet revised 8/2010