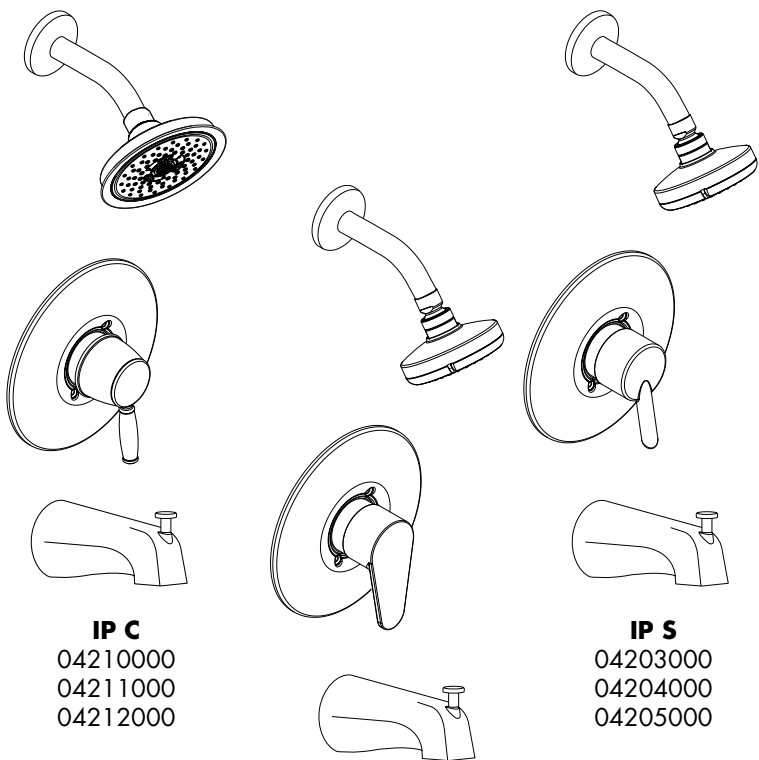


# Installation Instructions / Warranty



## **IP C**

04210000  
04211000  
04212000

## **IP S**

04203000  
04204000  
04205000

## **IP E**

04199000  
04200000  
04201000

**hansgrohe**

# IP Trim Sets

## Valve trim only

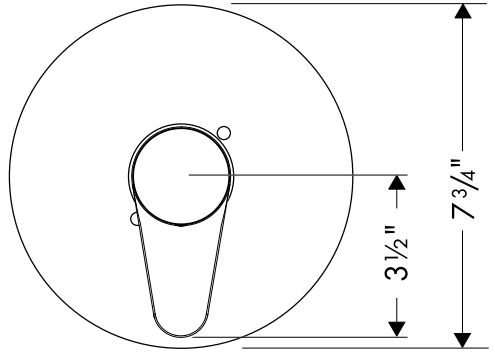
- IP C 04212000
- IP E 04201000
- IP S 04205000

## Shower set (includes valve trim, shower arm, showerhead)

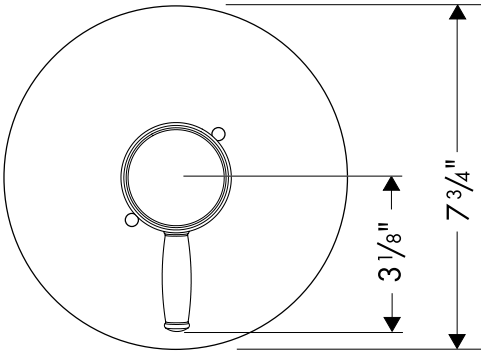
- IP C 04211000
- IP E 04200000
- IP S 04204000

## Tub/shower set (includes valve trim, shower arm, showerhead, tub spout)

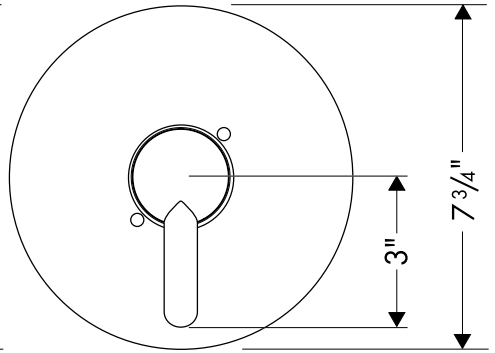
- IP C 04210000
- IP E 04199000
- IP S 04203000



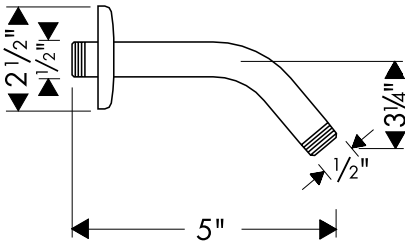
IP E valve trim 04201000



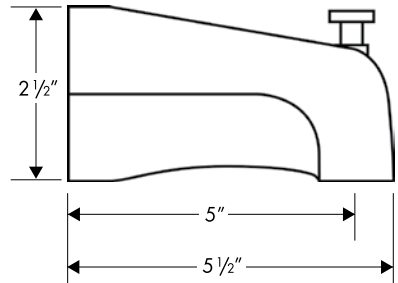
IP C valve trim 04212000



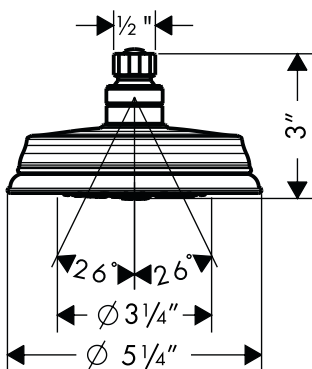
IP S valve trim 04205000



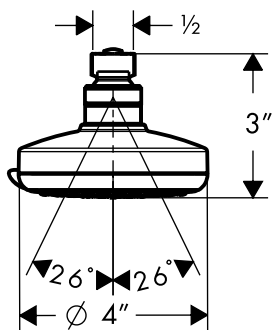
shower arm - included with shower sets and tub/shower sets only



tub spout - included with tub/shower sets only



IP C showerhead  
 1.6 gpm max  
 Full spray, massage, intense  
 massage  
 Quick Clean™ self-cleaning  
 system  
 AIR injection technology  
 Included with shower and  
 tub/shower sets only



IP E,S showerhead  
 1.6 gpm max  
 Full spray, massage, intense  
 massage  
 Quick Clean™ self-cleaning  
 system  
 AIR injection technology  
 Included with shower and  
 tub/shower sets only

## Installation considerations

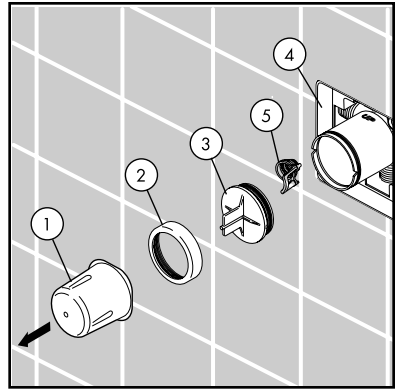
- For best results, Hansgrohe recommends that this unit be installed by a licensed, professional plumber.
- Please read over these instructions thoroughly before beginning installation. Make sure that you have all tools and supplies needed to complete the installation.
- Pressure balance valve rough 04120000 (not included) must be installed, and the finished wall surface must be installed and made watertight before installation of this trim kit.
- The tub spout (included with 04210000 / 04199000 / 04203000 only) requires a 1/2" NPT male nipple, extending 4" - 4 1/4" outside the surface of the finished wall.
- The shower arm requires a 1/2" NPT female fitting.
- The max. flow rate of the valve is 4.5 gpm.
- The max. flow rate of the showerhead is 1.6 gpm.
- The shower valve incorporates a high temperature limit stop which must be set to comply with local plumbing codes.
- **Note to Massachusetts users:** the maximum output temperature of the shower valve may be no higher than 112°F.
- Know and follow all applicable local plumbing codes when setting the temperature on the water heater.

## Trim installation

Turn the water off at the main before beginning.

Remove the cover (1), bonnet nut (2), and test cap (3), from the valve body. If the screen (5) is still present, remove it as well.

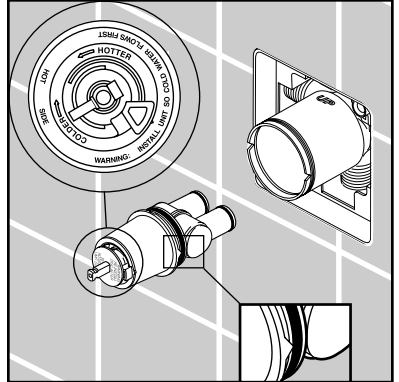
If the valve is installed in a fiberglass or acrylic enclosure, the plaster shield (4) must remain in place. In all other installations, the plaster shield may be removed, if desired.



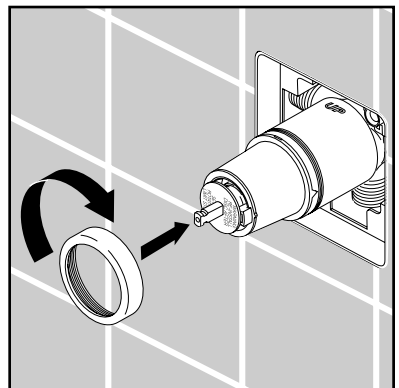
**Normal installation:** Insert the cartridge in the valve with the “hot side” marking on the left.

**Reversed installation** (cold on left/hot on right): Insert the cartridge so that the “hot side” markings are on the right.

**All installations:** Make sure that the cartridge engages the holes inside the valve. The keys on the sides of the cartridge should engage the slots on the sides of the valve.

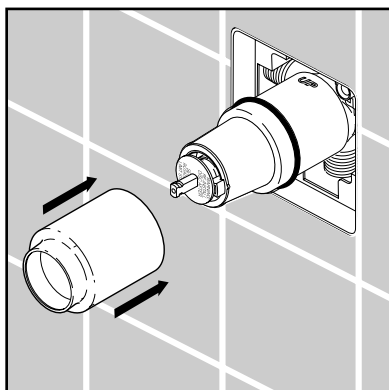


Install the bonnet nut. Tighten it hand tight.

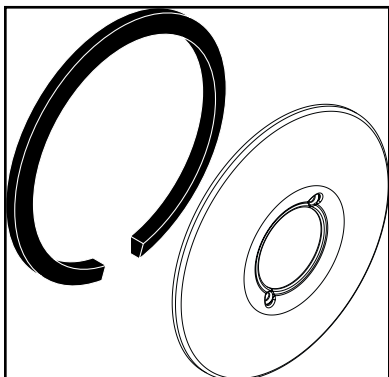


Install the o-ring on the cartridge. It should rest just behind the bonnet nut.

Push the sleeve over the cartridge, body, and o-ring.



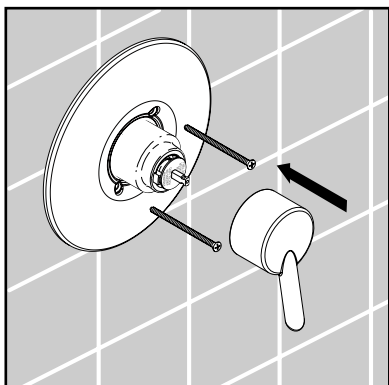
Remove the backing from the sealing tape. Press the sealing tape around the reverse of the escutcheon.



Install the escutcheon. Fasten it to the bracket with the two screws. Do not overtighten the screws.

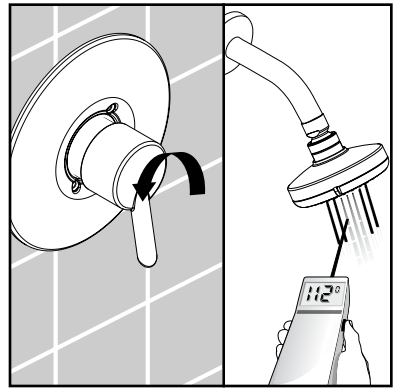
**Test the valve:** Temporarily install the handle. Turn the handle clockwise until it stops. Turn the water on at the main. Turn the handle counter-clockwise. The cold water should come on first, and become warmer the farther the handle is turned.

**CAUTION:** If the hot water comes on first, reverse the cartridge. See the cartridge removal instructions on page 7 and the reversed installation instructions on page 4.



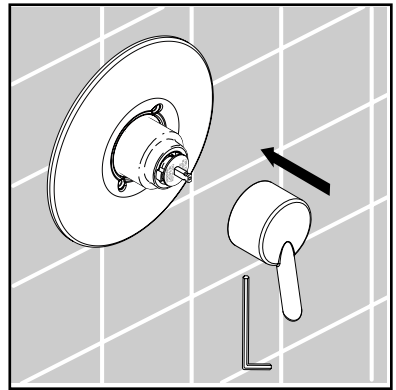
Turn the handle counter-clockwise until it stops. Measure the temperature of the output water with a thermometer.

If the water is hotter than the maximum temperature permitted by local code (110° - 112°F in many areas), reset the rotational limit stop (see below).



Install the handle adapter and screw.

Install the handle. Tighten the handle screw with a 3mm Allen wrench.



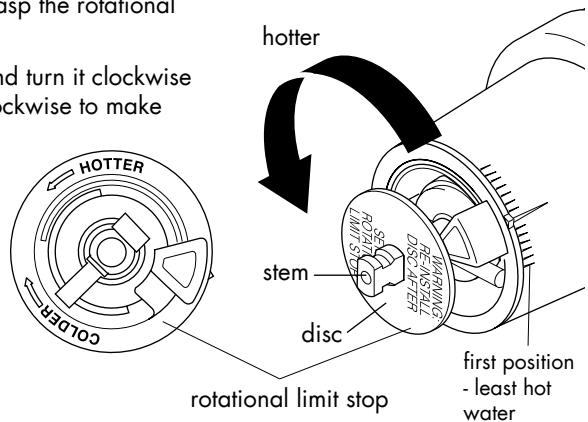
### Set the rotational limit stop (high temperature limit stop)

The rotational limit stop may need to be adjusted seasonally, or if changes are made to the water heater.

Remove the handle. Pull the disc away from the cartridge enough so that you can grasp the rotational limit stop.

Pull out on the rotational limit stop and turn it clockwise to make the water cooler, counter-clockwise to make it warmer. The temperature change per tooth can be 4°F - 16°F, depending on the water conditions. Test. Repeat if necessary.

**! Push the disc back into place, until fully seated. Failure to do so could result in scald injury.**



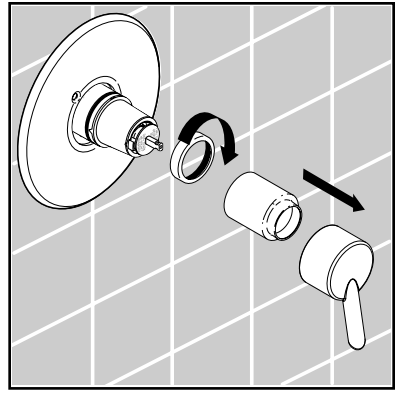
## Cartridge removal

If the cartridge must be removed for any reason, follow these steps.

Turn the water off at the main.

Remove the handle and sleeve.

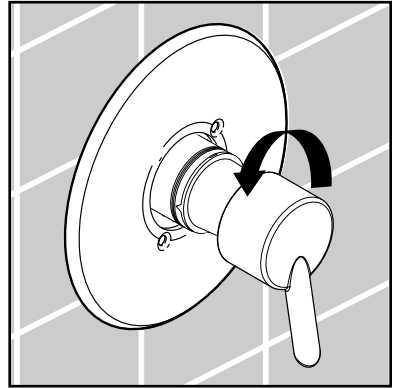
Remove the bonnet nut.



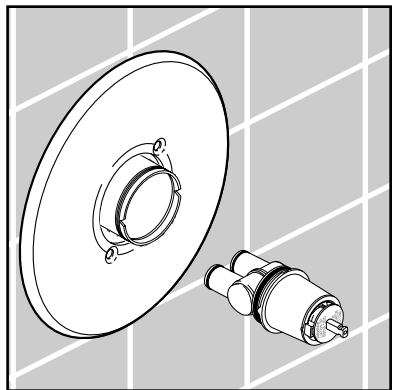
Position the handle on the stem. Turn counter-clockwise approximately  $\frac{1}{4}$  turn after the stop is contacted.



**Caution:** Do not attempt to pry the cartridge out with a screwdriver!



Lift the cartridge from the valve body.



## Tub spout installation



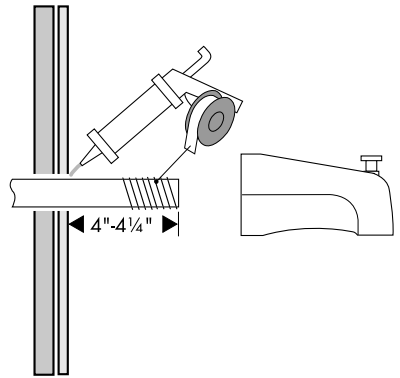
**Seal the wall around the nipple with waterproof sealant.**



**Failure to seal the wall can lead to possible water damage.**

Wrap the threads on the nipple with several layers of Teflon thread tape.

Screw the tub spout to the nipple. Tighten with a strap wrench to prevent damage to the finish.



## Shower arm installation

Push the flange over the end of the shower arm.

Wrap the threads on the shower arm with several layers of Teflon tape.

Install the arm in the female fitting in the wall. Tighten with a strap wrench.

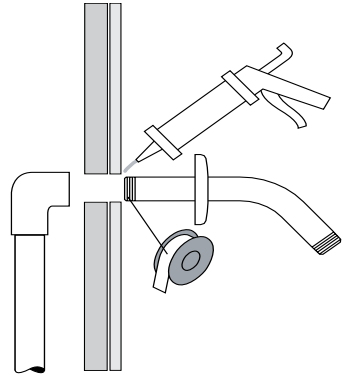


**Seal the wall around the shower arm with waterproof sealant.**



**Failure to seal the wall can lead to possible water damage.**

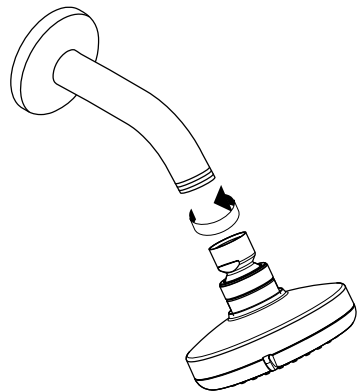
Slide the flange against the wall.



## Showerhead installation

Because of the self-sealing filter gasket, Teflon tape is not necessary.

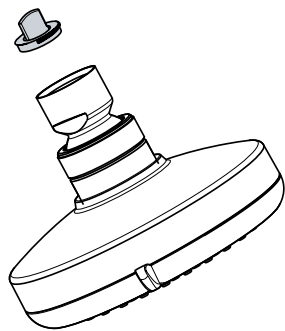
Screw the showerhead onto the arm. Do not overtighten, or damage to the showerhead or arm can result.





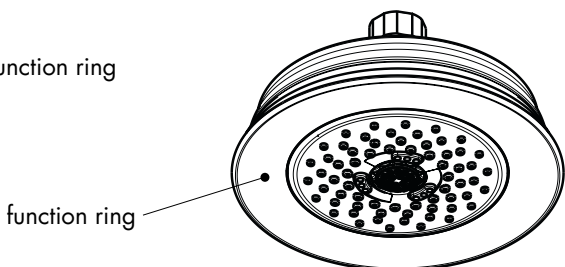
## Showerhead user instructions

**All models:** If the flow of water diminishes over time, remove and clean the filter gasket.

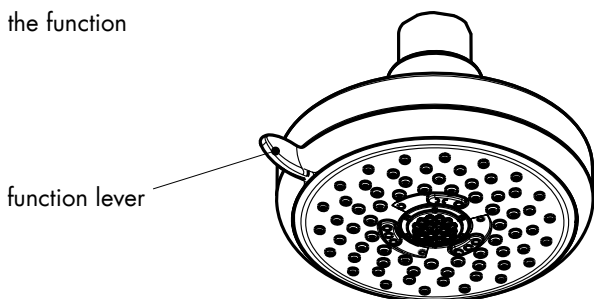


## Change the spray modes

**IP C showerhead only** – turn the function ring to the desired spray mode.

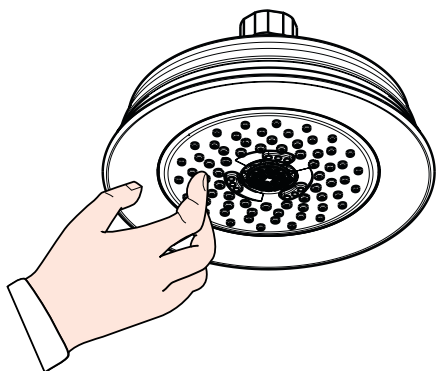


**IP E,S showerhead only** – push the function lever to the desired spray mode.



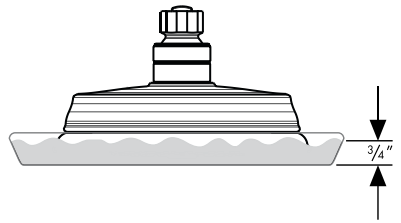
## Cleaning

If scale deposits appear in the spray channels, rub across the spray channels with a finger or a sponge to dislodge them.

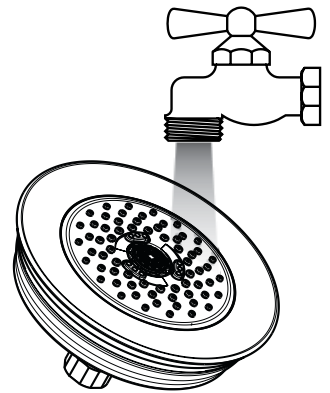


To remove heavier scale deposits, pour about 3/4" of a commercial scale remover such as Lime-Away or CLR, into a shallow dish. Be sure to follow the label instructions!

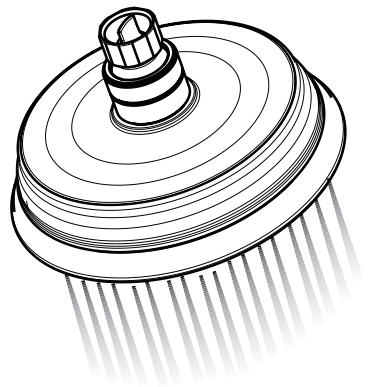
Soak the spray face for the amount of time specified in the label instructions.



Rinse the showerhead with clear water.



Install the showerhead. Turn the water on and flush the showerhead for at least one minute.



## Cleaning Recommendation for Hansgrohe Products

Modern lavatory faucets, kitchen faucets, and showers consist of very different materials to comply with the needs of the market with regard to design and functionality. To avoid damage and returns, it is necessary to consider certain criteria when cleaning.

### Cleaning Materials for Faucets and Showers

Acids are a necessary ingredient of cleaning materials for removing lime, however please pay attention to the following points when cleaning faucets and showers:

- Only use cleaning materials which are explicitly intended for this type of application.
- Never use cleaning materials which contain hydrochloric, formic, phosphoric, or acetic acid, as they cause considerable damage.
- Never mix one cleaning material with another.
- Never use cleaning materials or appliances with an abrasive effect, such as unsuitable cleaning powders, sponge pads, or micro fiber cloths.

### Cleaning Instructions for Faucets and Showers

Please follow the cleaning material manufacturer's instructions. In addition, pay attention to the following points:

- Clean the faucets and showers as and when required
- Use the amount of cleaning product and the amount of time recommended by the manufacturer. Do not leave the cleaner on the fixture longer than necessary.
- Regular cleaning can prevent calcification.
- When using spray cleaners, spray first onto a soft cloth or sponge. Never spray directly onto the faucet as droplets can enter openings and gaps and cause damage.
- After cleaning, rinse thoroughly with clean water to remove any cleaner residue.

### Important

Residues of liquid soaps, shampoos, and shower foams can also cause damage, so rinse with clean water after using.

**Please note:** if the surface is already damaged, the effect of cleaning materials will cause further damage.

**Components with damaged surfaces must be replaced or injury could result.**

**Damage caused by improper treatment is not covered under the warranty.**

## Limited Lifetime Consumer Warranty

This product has been manufactured and tested to the highest quality standards by Hansgrohe, Inc. ("Hansgrohe"). This warranty is limited to Hansgrohe products which are purchased by a consumer in the United States after March 1, 1996, and installed in either the United States or Canada.

### WHO IS COVERED BY THE WARRANTY

This warranty extends to the original consumer purchaser only. This warranty is non-transferable.

### WHAT IS COVERED BY THE WARRANTY

This warranty covers only your Hansgrohe manufactured product. Hansgrohe warrants this product against defects in material or workmanship as follows: Hansgrohe will repair at no charge for parts only or, at its option, replace any product or part of the product that proves defective because of improper workmanship and/or material, under normal installation, use, service and maintenance. If Hansgrohe is unable to provide a replacement and repair is not practical or cannot be timely made, Hansgrohe may elect to refund the purchase price in exchange for the return of the product.

### LENGTH OF WARRANTY

Replacement or repaired parts of products will be covered for the term of this warranty as stated in the following two sentences. If you are a consumer who purchased the product for use primarily for personal, family, or household purposes, this warranty extends for as long as you own the product and the home in which the product is originally installed. If you purchased the product for use primarily for any other purpose, including, without limitation, a commer-

cial purpose, this warranty extends only (i) for 1 year, with respect to Hansgrohe and Commercial products, and (ii) for 5 years, with respect to AXOR products.

THIS WARRANTY DOES NOT COVER, AND HANSGROHE WILL NOT PAY FOR:

- A. Conditions, malfunctions or damage not resulting from defects in material or workmanship.
- B. Conditions, malfunctions or damage resulting from (1) normal wear and tear, improper installation, improper maintenance, misuse, abuse, negligence, accident or alteration, or (2) the use of abrasive or caustic cleaning agents or "no-rinse" cleaning products, or the use of the product in any manner contrary to the product instructions. (3) Conditions in the home such as excessive water pressure or corrosion.
- C. Labor or other expenses for the disconnection, deinstallation, or return of the product for warranty service, or for installation or reinstallation of the product (including but not limited to proper packaging and shipping costs), or for installation or reinstallation of the product.
- D. Accessories, connected materials and products, or related products not manufactured by Hansgrohe.

TO OBTAIN WARRANTY PARTS OR INFORMATION

Contact your Hansgrohe retailer, or contact Technical Service at:

Hansgrohe Inc.  
1492 Bluegrass Lakes Parkway  
Alpharetta GA 30004  
Toll-free (800) 334-0455.

In requesting warranty service, you will need to provide

- 1. The sales receipt or other evidence of the date and place of purchase.
- 2. A description of the problem.
- 3. Delivery of the product or the defective part, postage prepaid and carefully packed and insured, to Hansgrohe Inc. 1492 Bluegrass Lakes Parkway, Alpharetta, Georgia 30004, Attention: Technical Service, if required by Hansgrohe.

When warranty service is completed, any repaired or replacement product or part will be returned to you postage prepaid.

EXCLUSIONS AND LIMITATIONS

REPAIR OR REPLACEMENT (OR, IN LIMITED CIRCUMSTANCES, REFUND OF THE PURCHASE PRICE) AS PROVIDED UNDER THIS WARRANTY IS THE EXCLUSIVE REMEDY OF THE PURCHASER. HANSGROHE NEITHER ASSUMES NOR AUTHORIZES ANY PERSON TO CREATE FOR IT ANY OBLIGATION OR LIABILITY IN CONNECTION WITH THIS PRODUCT.

HANSGROHE SHALL NOT BE LIABLE TO PURCHASER OR ANY PERSON FOR ANY INCIDENTAL, SPECIAL, OR CONSEQUENTIAL DAMAGES, ARISING OUT OF BREACH OF THIS WARRANTY OR ANY IMPLIED WARRANTY (INCLUDING MERCHANTABILITY).

Some States do not allow the exclusion or limitation of incidental or consequential damages, so the above limitation or exclusion may not apply to you. This warranty gives you specific legal rights, and you may have other rights which vary from State to State. You may be required by law to give us a reasonable opportunity to correct or cure any failure to comply before you can bring any action in court against us under the Magnuson-Moss Warranty Act.

PRODUCT INSTRUCTIONS AND QUESTIONS

Upon purchase or prior to installation, please carefully inspect your Hansgrohe product for any damage or visible defect. Prior to installing, always carefully study the enclosed instructions on the proper installation and the care and maintenance of the product. If you have questions at any time about the use, installation, or performance of your Hansgrohe product, or this warranty, please call or write to us or call us toll-free at 800 334 0455.

**hansgrohe**

Hansgrohe, Inc. • 1490 Bluegrass Lakes Parkway • Alpharetta, GA 30004  
Tel. 770-360-9880 • Fax 770-360-9887

[www.hansgrohe-usa.com](http://www.hansgrohe-usa.com)