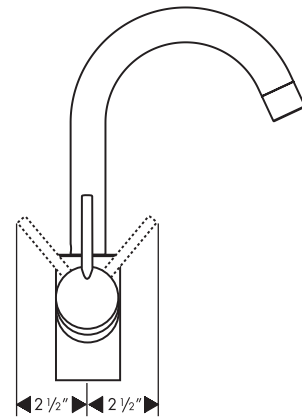
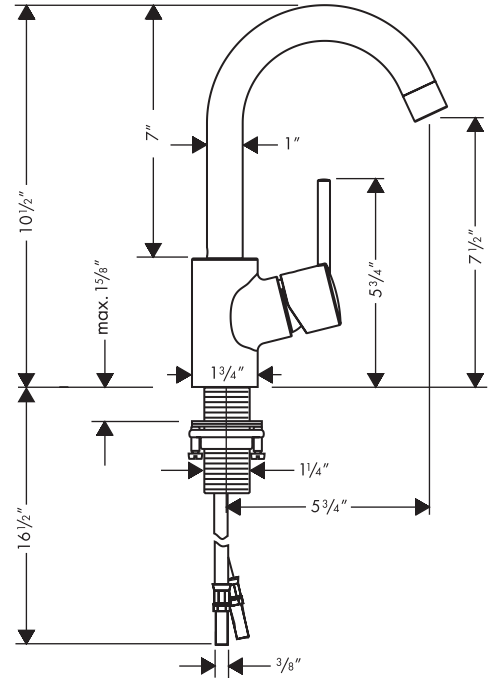
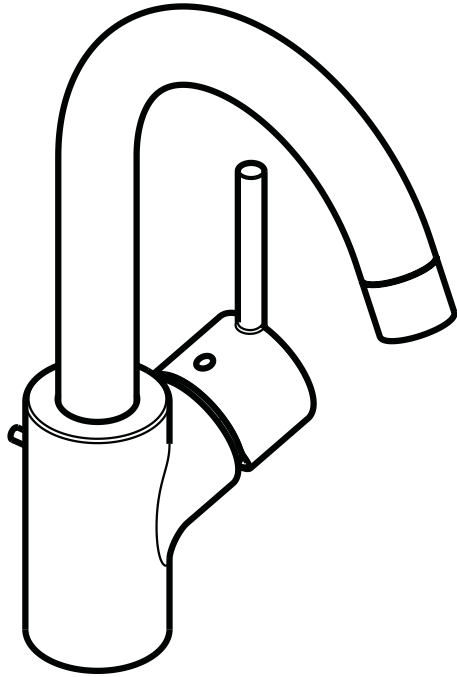


# Talis™ Lavatory Faucet 32070XX1

Available in Chrome (00), Brushed Nickel (82)



## Product Specification

High-arc spout

Flow rate 2.2 gpm

Single hole installation

Hole size in mounting surface 1 3/8"

Max. mounting surface depth 1 5/8"

Includes pop-up drain

3/8" supply hoses – requires 3/8" compression fittings (not included)

**hansgrohe**