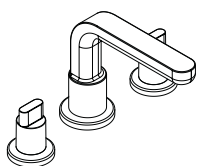
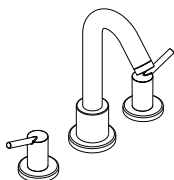


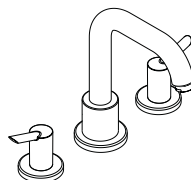
# Installation Instructions / Warranty



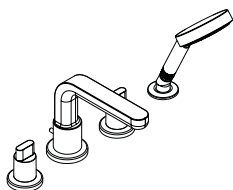
**Metris**  
31436XX1



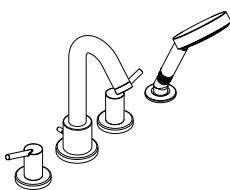
**Talis**  
32313XX1



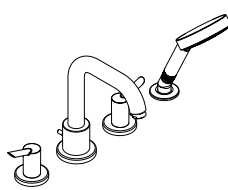
**Focus**  
31732XX1



**Metris**  
31446XX1



**Talis**  
32314XX1



**Focus**  
31733XX1

**hangrohe**

## Trim, 3- and 4-Hole Roman Tub Sets

	3-Hole	4-Hole
Metris	31436001	31446001
Focus	31732001	31733001
Talis	32313XX1	32314XX1

### Installation Considerations

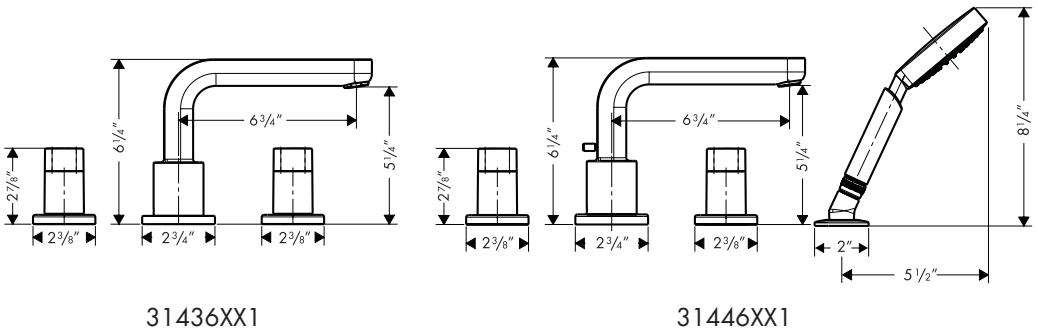
The 4-Hole Roman Tub Set trim kits require rough 06646000. The 3-Hole trim kits require rough 06607000. The rough valves are not included.

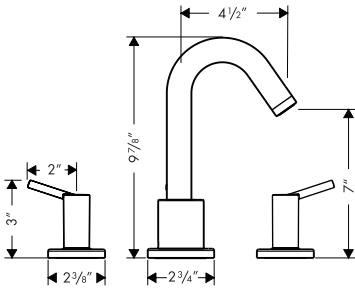
The rough must be installed and the mounting surface complete and made watertight before installation of this trim kit.

The elbow for the handshower incorporates a check valve to prevent back siphonage. This check valve should be removed and inspected yearly.

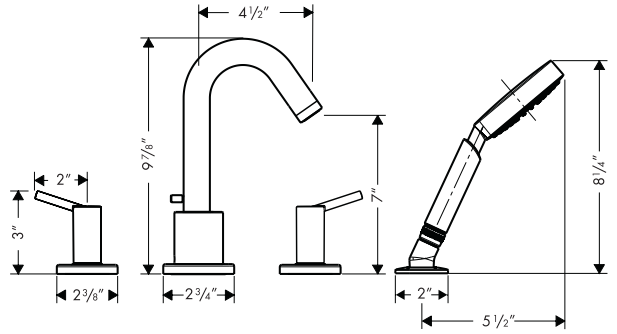
The flow rate of the handshower is 2.5 gpm.

The water must be shut off at the main before beginning installation.

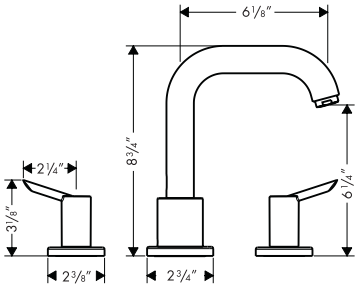




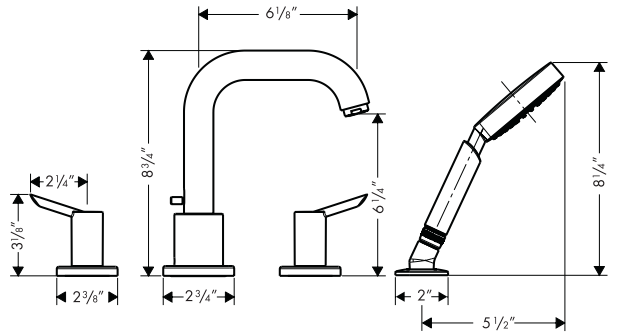
32313XX1



32314XX1



31732XX1



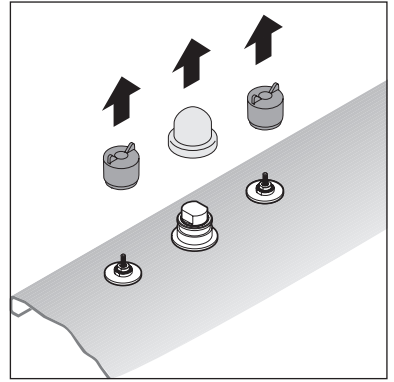
31733XX1

## Installation - 3-Hole Trim Kits

If you are using a 4-Hole set, please turn to page 6

### Install the Handles

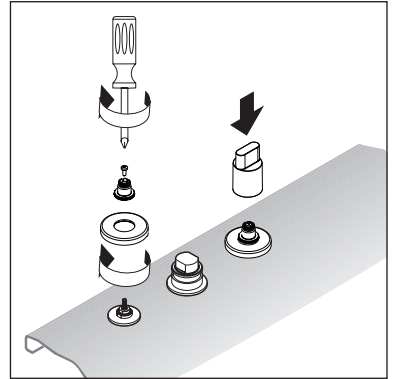
Remove the plaster shields from the hot and cold valves and the spout tee.



Install the handle escutcheons.

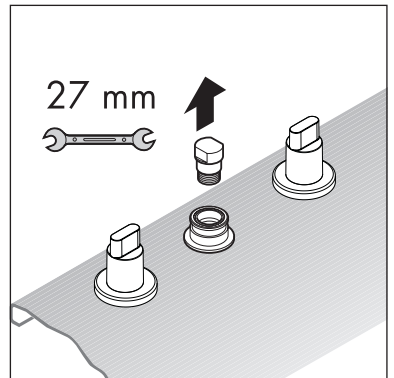
Install the white plastic snap connectors and the screws.

Push the handle down firmly over the snap connectors.

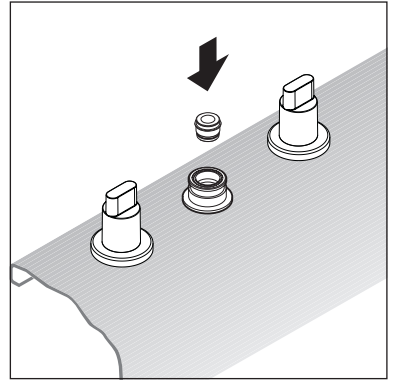


### Assemble the Spout

Remove the brass plug from the tee.



Push the spout sealing ring firmly into the spout tee.

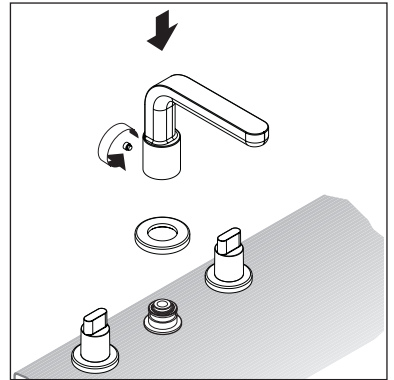


Install the spout escutcheon.

Press the spout over the spout tee. Install and tighten the set screw with a 3 mm Allen wrench.

**CAUTION:** do not overtighten the set screw or the o-rings on the diverter will deform, which will cause a leak.

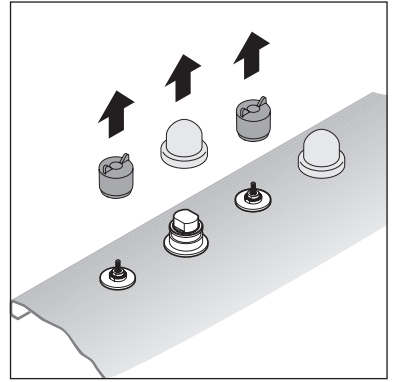
Turn on the water and check all connections for leaks.



## Installation - 4-Hole Trim Kits

### Install the Handles

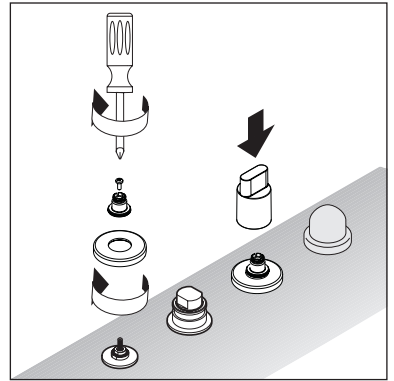
Remove the plaster shields from the hot and cold valves and the spout tee.



Install the escutcheons.

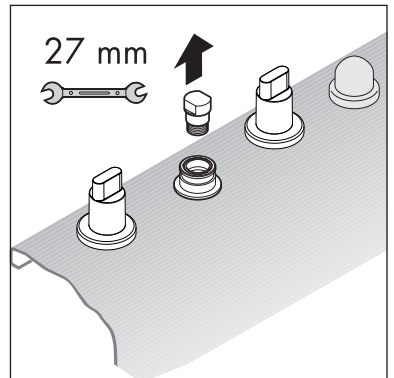
Install the white plastic snap connectors and screws.

Push the handle down firmly over the snap connector.

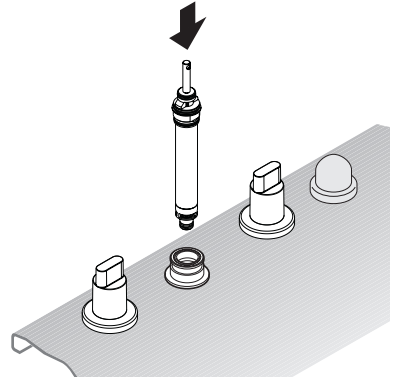


### Assemble the Diverter and Spout

Remove the brass plug from the tee.



Press the diverter assembly firmly into the spout tee until it is fully seated. Turn the guide bushing so that the slot faces the rear of the spout.

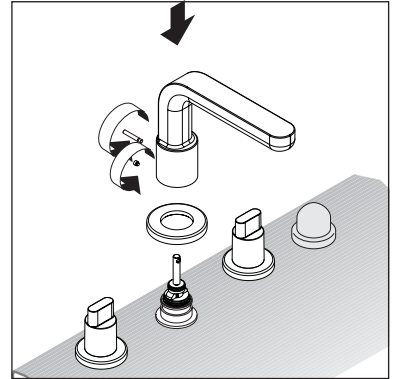


Install the spout escutcheon.

Firmly press the spout over the tee and diverter. Tighten the set screw with the included 3 mm Allen wrench.

**CAUTION:** do not overtighten the set screw or the o-rings on the diverter will deform, which will cause a leak.

Install the pull rod. The threaded end of the pull rod must go into the hole in the pin.

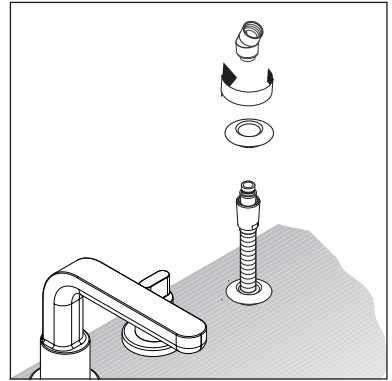


**Install the Handshower Holder Escutcheon and Handshower (4-Hole version only)**

Remove the plaster shield from the handshower holder.  
Pull out on the handshower hose.

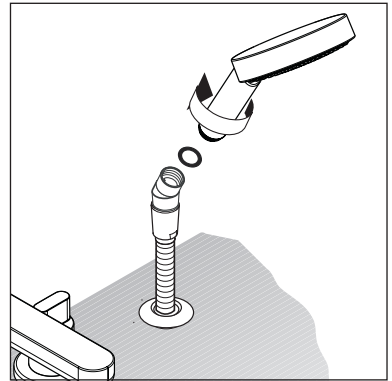
Screw the handshower holder escutcheon into place.

Install the elbow.



Place a black rubber hose washer in the elbow. Screw the handshower into the elbow.

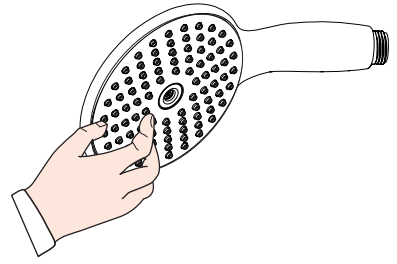
Guide the handshower into the holder.



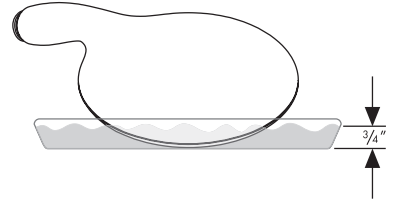


## Scale Removal

The Raindance Air 1-jet handshower incorporates the Rubit™ cleaning system. If scale deposits are noticed in the spray channels, turn the water on lightly and rub the spray channels with a finger or a sponge.

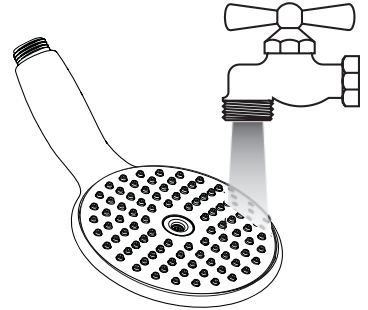


If scale deposits are noticed on the spray face, pour about 3/4" of a commercial scale remover, such as Lime-Away™ or CLR™, into a shallow dish. Dilute the remover according to the label instructions.

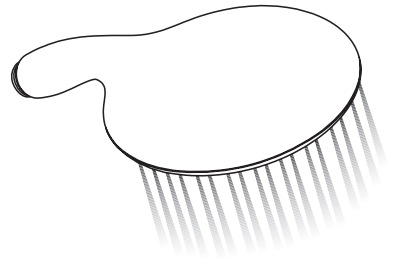


Soak only the spray face in the solution for the amount of time specified on the label.

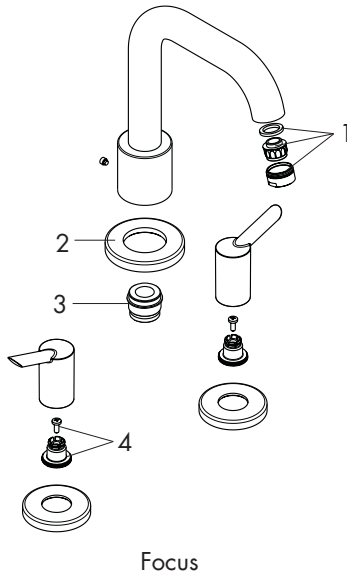
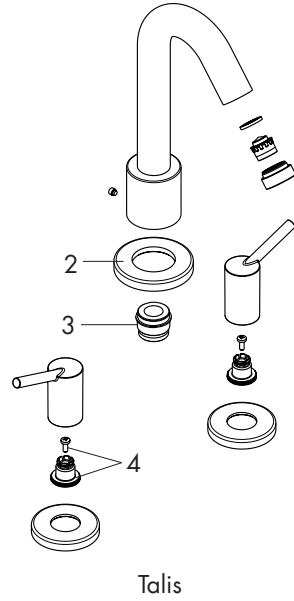
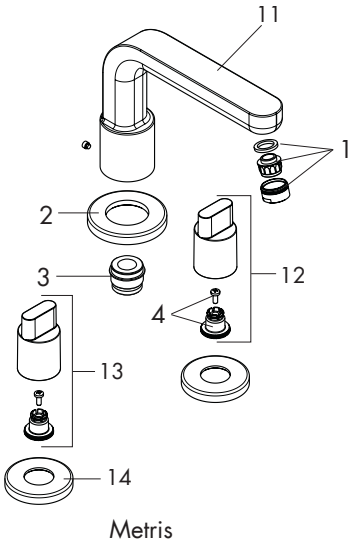
Rinse the handshower with clear water.



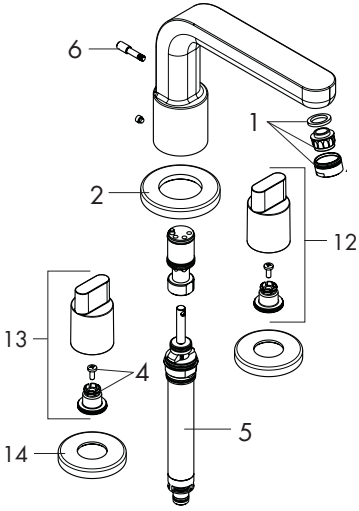
Reinstall the handshower. Turn on the water and allow the handshower to flush for at least one minute.



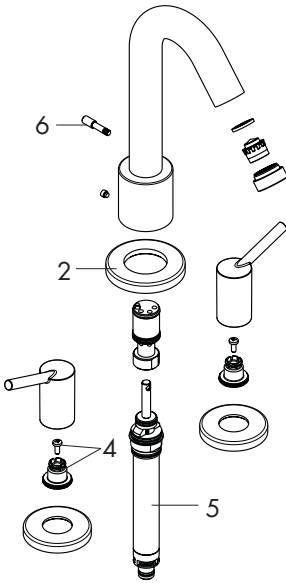
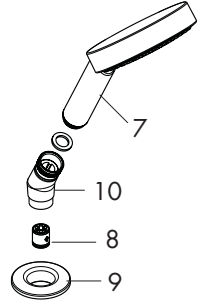
# Replacement Parts 3-Hole Roman Tub Sets



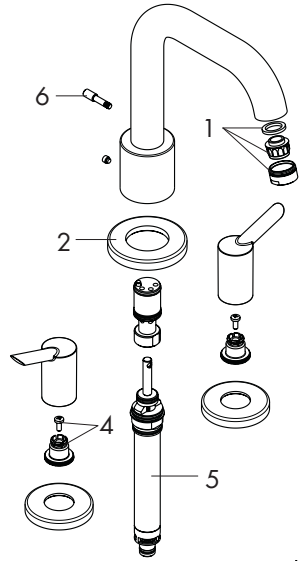
# Replacement Parts 4-Hole Roman Tub Sets



Metris



Talis



Focus

## Replacement Parts (see pages 10 & 11)

1	aerator	13956XX0
2	spout escutcheon	97779XX0
3	sealing ring	88512000
4	snap connector	94184000
5	diverter	96775000
6	diverter knob	98707XX0
7	handshower	28509XX1
8	check valve	94074000
9	handshower escutcheon	06778XX0
10	elbow	28071XX1
11	spout	31095XX0
12	hot handle	31096XX0
13	cold handle	31097XX0
14	handle escutcheon	31098XX0

XX = finish

00 = chrome

82 = brushed nickel

## Cleaning Recommendation for Hansgrohe Products

Modern sanitary faucetry and shower fixtures consist of very different materials to comply with the needs of the market with regard to design and functionality.

To avoid damage and returns, it is necessary to consider certain points when cleaning:

### Cleaning materials for faucets and shower products:

Acids are necessary ingredients of cleaning materials for removing lime. However, please pay attention to the following points when cleaning faucets and shower products:

- Use only cleaning materials intended for the application.
- Never use cleaning materials which contain hydrochloric, formic, or phosphoric, or acetic acid, as these can cause considerable damage.
- Do not mix one cleaning material with another.
- Do not use abrasives, such as cleaning powders, sponge pads, or microfiber cloths.

### Cleaning Instructions for Faucets and Shower Products:

Please follow the cleaning material manufacturer's instructions. In addition, please note the following:

- Clean your faucets and shower products as and when required.
- Follow the label instructions. Do not allow any cleaner to remain on the product for longer than necessary.
- Regular cleaning will prevent scale buildup and water spotting.
- When using spray cleaners, spray first onto a sponge or cloth. Do not spray directly onto the faucet or shower product as drops could enter openings or gaps and cause damage.
- After cleaning, rinse thoroughly with clear water to remove any cleaner residue.

### Important

Residues of liquid soaps, shampoos, and shower foams can also cause damage, so rinse with clean water after using.

### Please note:

- If the surface is already damaged, the effect of cleaning materials will cause further damage.
- Components with damaged surfaces must be replaced, otherwise, this could cause injury.
- Damage caused by improper treatment will not be covered by our warranty.

## Limited Lifetime Consumer Warranty

This product has been manufactured and tested to the highest quality standards by Hansgrohe, Inc. ("Hansgrohe"). This warranty is limited to Hansgrohe products which are purchased by a consumer in the United States after March 1, 1996, and installed in either the United States or Canada.

### WHO IS COVERED BY THE WARRANTY

This warranty extends to the original consumer purchaser only. This warranty is non-transferable.

### WHAT IS COVERED BY THE WARRANTY

This warranty covers only your Hansgrohe manufactured product. Hansgrohe warrants this product against defects in material or workmanship as follows: Hansgrohe will repair at no charge for parts only or, at its option, replace any product or part of the product that proves defective because of improper workmanship and/or material, under normal installation, use, service and maintenance. If Hansgrohe is unable to provide a replacement and repair is not practical or cannot be timely made, Hansgrohe may elect to refund the purchase price in exchange for the return of the product.

### LENGTH OF WARRANTY

Replacement or repaired parts of products will be covered for the term of this warranty as stated in the following two sentences. If you are a consumer who purchased the product for use primarily for personal, family, or household purposes, this warranty extends for as long as you own the product and the home in which the product is originally installed. If you purchased the product for use primarily for any other purpose, including, without limitation, a commercial purpose, this warranty extends only (i) for 1 year, with respect to Hansgrohe and Commercial products, and (ii) for 5 years, with respect to AXOR products.

### THIS WARRANTY DOES NOT COVER, AND HANSGROHE WILL NOT PAY FOR:

- A. Conditions, malfunctions or damage not resulting from defects in material or workmanship.
- B. Conditions, malfunctions or damage resulting from (1) normal wear and tear, improper installation, improper maintenance, misuse, abuse, negligence, accident or alteration, or (2) the use of abrasive or caustic cleaning agents or "no-rinse" cleaning products, or the use of the product in any manner contrary to the product instructions. (3) Conditions in the home such as excessive water pressure or corrosion.
- C. Labor or other expenses for the disconnection, deinstallation, or return of the product for warranty service, or for installation or reinstallation of the product (including but not limited to proper packaging and shipping costs), or for installation or reinstallation of the product.
- D. Accessories, connected materials and products, or related products not manufactured by Hansgrohe.

### TO OBTAIN WARRANTY PARTS OR INFORMATION

Contact your Hansgrohe retailer, or contact Technical Service at:

Hansgrohe Inc.  
1492 Bluegrass Lakes Parkway  
Alpharetta GA 30004  
Toll-free (800) 334-0455.

In requesting warranty service, you will need to provide

1. The sales receipt or other evidence of the date and place of purchase.
2. A description of the problem.
3. Delivery of the product or the defective part, postage prepaid and carefully packed and insured, to Hansgrohe Inc. 1492 Bluegrass Lakes Parkway, Alpharetta, Georgia 30004, Attention: Technical Service, if required by Hansgrohe.

When warranty service is completed, any repaired or replacement product or part will be returned to you postage prepaid.

## EXCLUSIONS AND LIMITATIONS

REPAIR OR REPLACEMENT (OR, IN LIMITED CIRCUMSTANCES, REFUND OF THE PURCHASE PRICE) AS PROVIDED UNDER THIS WARRANTY IS THE EXCLUSIVE REMEDY OF THE PURCHASER. HANSGROHE NEITHER ASSUMES NOR AUTHORIZES ANY PERSON TO CREATE FOR IT ANY OBLIGATION OR LIABILITY IN CONNECTION WITH THIS PRODUCT.

HANSGROHE SHALL NOT BE LIABLE TO PURCHASER OR ANY PERSON FOR ANY INCIDENTAL, SPECIAL, OR CONSEQUENTIAL DAMAGES, ARISING OUT OF BREACH OF THIS WARRANTY OR ANY IMPLIED WARRANTY (INCLUDING MERCHANTABILITY).

Some States do not allow the exclusion or limitation of incidental or consequential damages, so the above limitation or exclusion may not apply to you. This warranty gives you specific legal rights, and you may have other rights which vary from State to State. You may be required by law to give us a reasonable opportunity to correct or cure any failure to comply before you can bring any action in court against us under the Magnuson-Moss Warranty Act.

## PRODUCT INSTRUCTIONS AND QUESTIONS

Upon purchase or prior to installation, please carefully inspect your Hansgrohe product for any damage or visible defect. Prior to installing, always carefully study the enclosed instructions on the proper installation and the care and maintenance of the product. If you have questions at any time about the use, installation, or performance of your Hansgrohe product, or this warranty, please call or write to us or call us toll-free at 800 334 0455.

**hansgrohe**

Hansgrohe, Inc. • 1490 Bluegrass Lakes Parkway • Alpharetta, GA 30004  
Tel. 770 360-9880 • Fax 770 360 9887

**[www.hansgrohe-USA.com](http://www.hansgrohe-USA.com)**