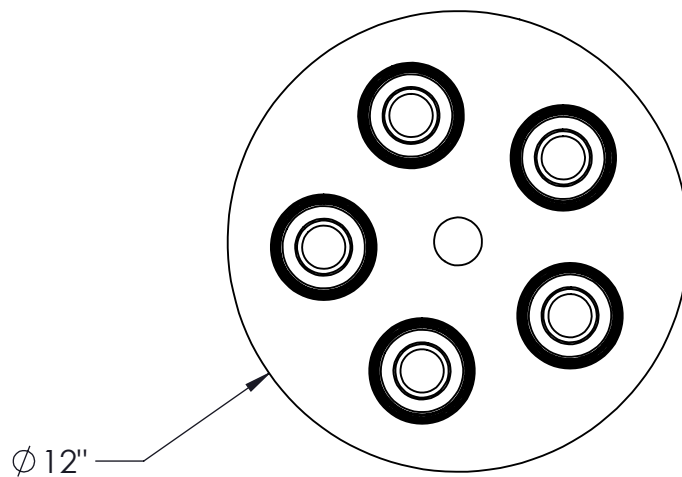
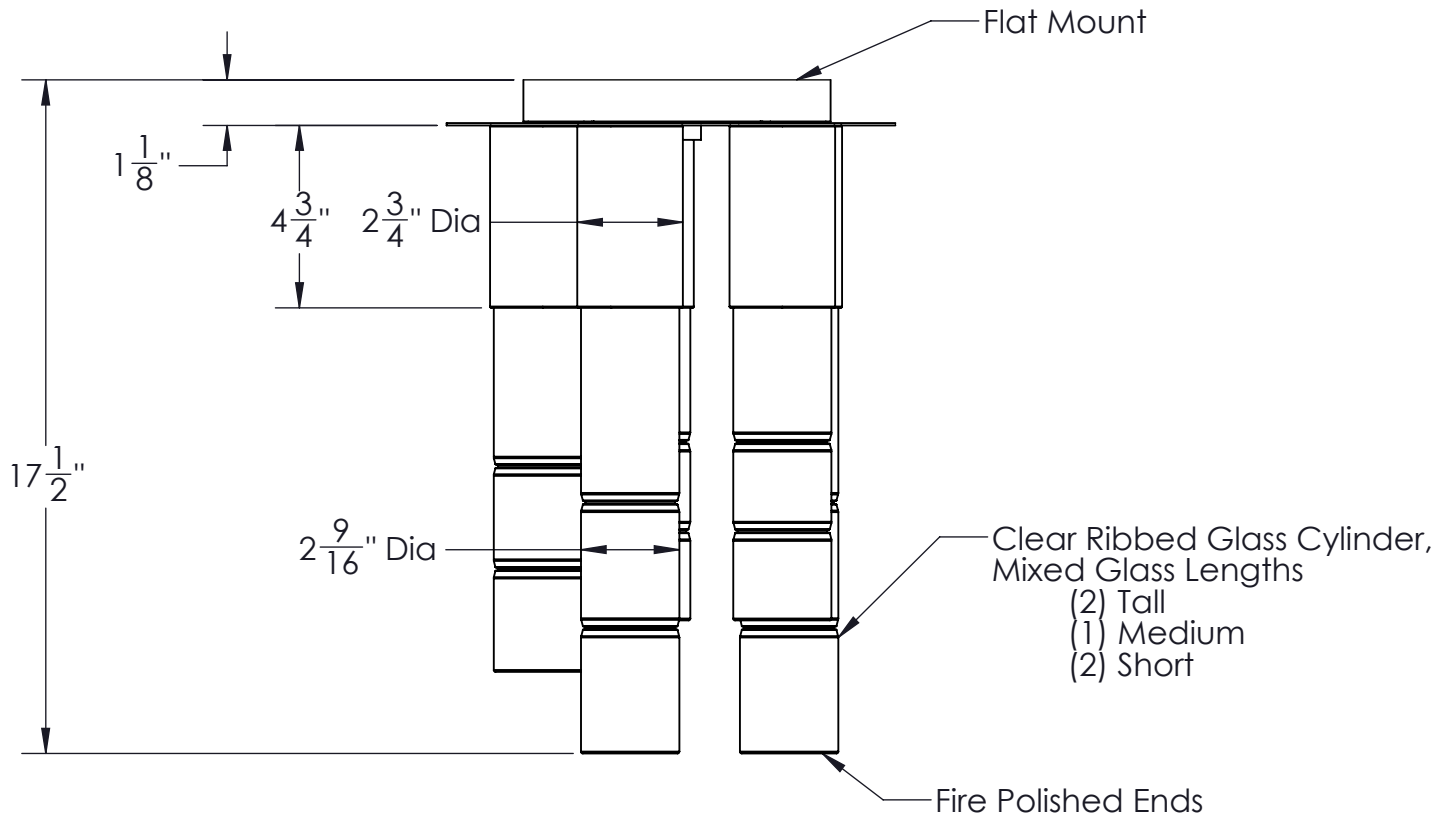


Location:

Product #: CLB0018-05-XX-AA



Bulbs Not Included Visit hammertonestudio.com for product options and specifications. 5/16/2014

Mounting Packet: W	Electrical Type: Incandescent-Halogen
Approximate lbs.: 12	Bulb Qty: 5 Bulb Type: MR16
Finish: SEE WEB SITE FOR OPTIONS	Wattage: 35 Voltage: 120
Top Diffuser: CLOSED METAL	Socket Type: MEDIUM E26 BASE
Bottom Diffuser: OPEN	UL Location: Dry

All fixtures created by Hammerton are handcrafted by artisans. Dimensions may vary up to 7/8".

© Copyright 2014. All rights in design, detail or invention of this drawing are reserved as the property of Hammerton. Any imitation or adaptation without written consent is strictly prohibited.

Hammerton Inc. 217 Wright Brothers Dr. Salt Lake City, UT 84116 (801)973-8095

Mounting Detail

