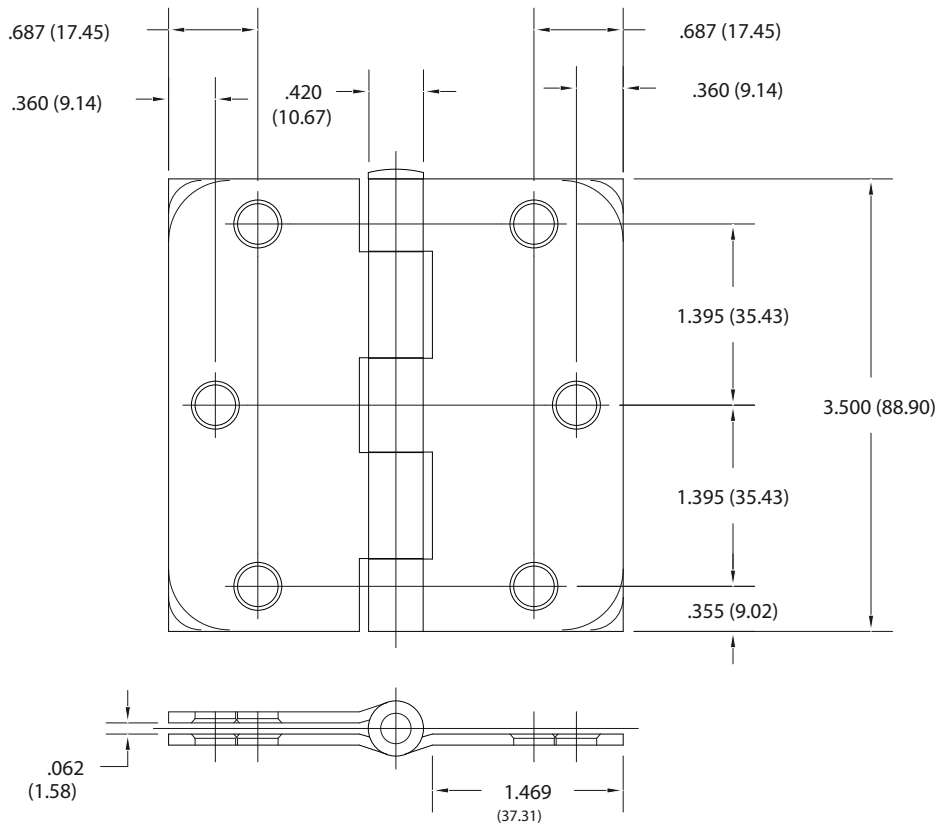


**FULL MORTISE
RESIDENTIAL HINGE**

SIZE: 3 1/2 x 3 1/2
(88.90 x 88.90)

Template No. T 398
Rev. '02 9-11-02



CATALOG NUMBER		TYPICAL CORNER RADII	METAL GAUGE
STEEL HINGES	NON-FERROUS HINGES		
	1541	SQUARE	.085 (2.16)
1741		SQUARE	.085 (2.16)
1746		SQUARE	.085 (2.16)
	RC1541	1/4 (6.35)	.085 (2.16)
RC1741		1/4 (6.35)	.085 (2.16)
RC1748		1/4 (6.35)	.085 (2.16)
7741		1/4 (6.35)	.085 (2.16)
RC1746		1/4 (6.35)	.085 (2.16)

CATALOG NUMBER		TYPICAL CORNER RADII	METAL GAUGE
STEEL HINGES	NON-FERROUS HINGES		
	RC1542	5/8 (15.88)	.085 (2.16)
RC1641		5/8 (15.88)	.085 (2.16)
8641		5/8 (15.88)	.085 (2.16)
RC1841		5/8 (15.88)	.085 (2.16)
RC1842		5/8 (15.88)	.085 (2.16)
8741		5/8 (15.88)	.085 (2.16)
RC1846		5/8 (15.88)	.085 (2.16)

ALL NON-BRACKETED DIMENSIONS ARE IN INCHES,
ALL BRACKETED DIMENSIONS ARE IN MILLIMETERS.

-DO NOT SCALE-

Hager testing conforms to ANSI-A156.17.



HAGER RESERVES THE RIGHT TO MAKE DESIGN CHANGES WITHOUT NOTICE. CALL HAGER ENGINEERING AT 1-800-325-9995 FOR LATEST REVISION DATE OF TEMPLATE.

HAGER COMPANIES
139 VICTOR STREET
P.O. BOX 12300
ST. LOUIS, MISSOURI 63157-0300

Template No. T 398