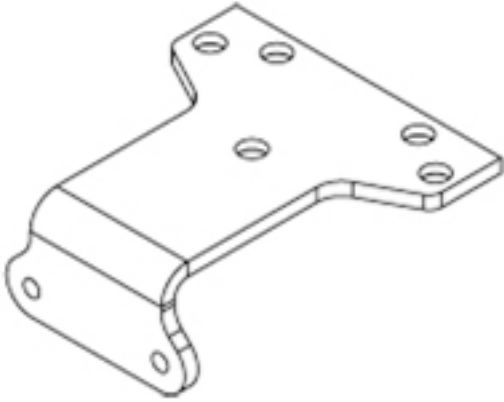


5909

Description: Surface Door Closers > 5100 Series Accessories



Notes

- Supplied standard
- Supplied standard with closer and optional 5107
- Can be used to convert regular or top jamb arm to parallel arm application