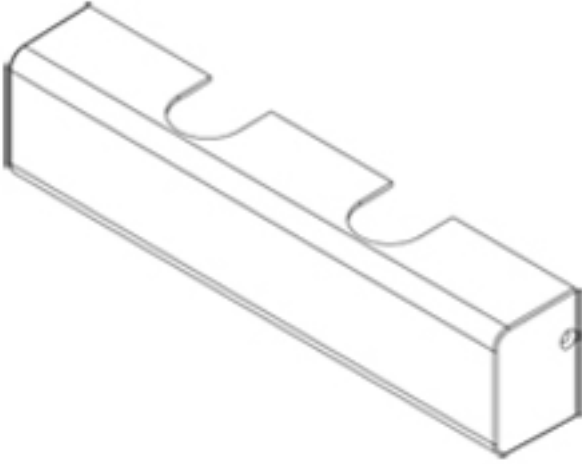


## 5202

**Description:** Surface Door Closers > 5200 Series Accessories



### Notes

- High impact non-corrosive full cover
- Cover projects 2-3/16" (56 mm) from door face
- Secured by 2 machine screws