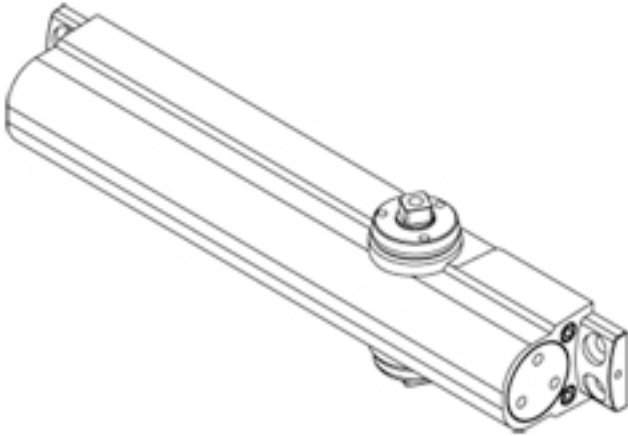


5201

Description: Surface Door Closers > 5200 Series Accessories



- Springs - Double heat treated steel, tempered springs
- Valves - Adjustable latching and sweep speed valve
- Adjustable backcheck valve
- Delayed action valve - Optional
- taked valves - Standard

- Handing - Non-handed
- Notes - Full rack and pinion operation
- Precision machined, heat treated steel piston
- Triple heat treated steel spindle