



3700 Series

Description: Interconnected Locks > 3700 Series Interconnected Locks



Applications	<ul style="list-style-type: none"> - Heavy Duty Residential - Medium Duty Commercial - Standard Door Prep - 2-1/8" Diameter (Cross Bore) - Latch Hole: 1" Diameter (Edge Bore) 	Backsets	<ul style="list-style-type: none"> - 2-3/4 (70 mm) - Standard - 2-3/8" (60 mm) - Optional
Certifications	<ul style="list-style-type: none"> - BHMA Certified ANSI A156.12 Grade 2 - ADA Compliant ANSI A117.1 Accessibility Code - UL/cUL Listed for all functions up to 3 hours for "A" label single doors - UL10C/UBC 7-2 (1997) Positive Pressure Rated - UL10B Neutral Pressure Rated 	CTC Dimension	<ul style="list-style-type: none"> - 4" (102 mm)
Exposed Trim	<ul style="list-style-type: none"> - Wrought Brass or Bronze, cast zinc lever 	Latchbolts	<ul style="list-style-type: none"> - 1/2" (13 mm) Throw - Stainless Steel - 3947 Single Locking Entry - 2-3/4" (70 mm) Backset - Standard - 3948 Double Locking Entry - 2-3/4" (70 mm) Backset - Standard - 2-1/4" (57 mm) X 1-1/8" (29 mm) Faceplate for 2-3/4" Backset - 3949 Single Locking Entry - 2-3/8" (60 mm) Backset - Available - 3950 Double Locking Entry - 2-3/8" (60 mm) Backset - Available - 2-1/4" (57 mm) X 1" (25.4 mm) Faceplate for 2-3/8" Backset
Lock Chassis	<ul style="list-style-type: none"> - Heavy gauge steel, zinc dichromated - Thru-bolt mounting 	Deadbolt	<ul style="list-style-type: none"> - 1" (25.4 mm) Throw - 3940 Deadbolt Latch - Standard - 2-1/4" (57 mm) X 1-1/8" (29 mm) Faceplate for 2-3/4" Backset - 3941 Deadbolt - Available - 2-1/4" (57 mm) X 1" (25.4 mm) Faceplate for 2-3/8" Backset
Rose Diameter	<ul style="list-style-type: none"> - 2-1/2" (63 mm) 	Strikes	<ul style="list-style-type: none"> - 3933 Square Corner T-Strike with Plastic Dust Box, 1-1/8" (29 mm) x 2-3/4" (70 mm) - Standard - 3930 Square Corner Strike Plate with Dust Box, 1-1/8" (29 mm) x 2-3/4" (70 mm) - Standard
Inside Escutcheon	<ul style="list-style-type: none"> - 3-1/16" x 7-15/16" x 3/8" (78 mm x 202 mm x 10 mm) 	Functions	<ul style="list-style-type: none"> - 10 Single Locking Entry - 53 Double Locking Entry
Outside Escutcheon	<ul style="list-style-type: none"> - 3-5/16" x 7-15/16" x 3/8" (84 mm x 202 mm x 10 mm) 	Options	<ul style="list-style-type: none"> - Tactile Knurling - Split Lever Design
Keys	<ul style="list-style-type: none"> - Two brass keys per lock 	Finishes	<ul style="list-style-type: none"> - US3, US4, US10, US10B, US26, US26D
Cylinders	<ul style="list-style-type: none"> - Brass 6 pin - Keyed Different - C Keyway - Keyed 5 pin - Standard - Other keying options available from the factory - Interchangeable Core - Brass 6 or 7 pin - Uncombined and Combined - sold separately 		
Door Thickness	<ul style="list-style-type: none"> - 1-3/8" (35 mm) - 1-3/4" (45 mm) - Standard - 2" (52 mm) - Optional 		





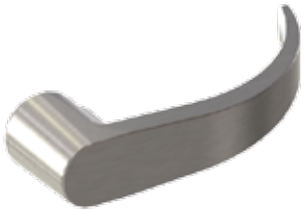
HAGER LOCKSET KNOB AND LEVER OPTIONS



APOLLO KNOB

Available on:

- 3400 Series
- 3500 Series



ARCHER LEVER

Available on:

- 3400 Series
- 3400 Series (Electrified)
- 3500 Series
- 3600 Series
- 3700 Series
- 3800 Series - Escutcheon
- 3800 Series - Sectional
- 3800 Series - Escutcheon (Electrified)
- 3800 Series - Sectional (Electrified)
- 2500 Series



AUGUST LEVER

Available on:

- 3400 Series
- 3400 Series (Electrified)
- 3500 Series
- 3600 Series
- 3700 Series
- 3800 Series - Escutcheon
- 3800 Series - Sectional
- 3800 Series - Escutcheon (Electrified)
- 3800 Series - Sectional (Electrified)



WILLIAM LEVER

Available on:

- 3800 Series - Escutcheon
- 3800 Series - Sectional
- 3800 Series - Escutcheon (Electrified)
- 3800 Series - Sectional (Electrified)



WITHNELL LEVER

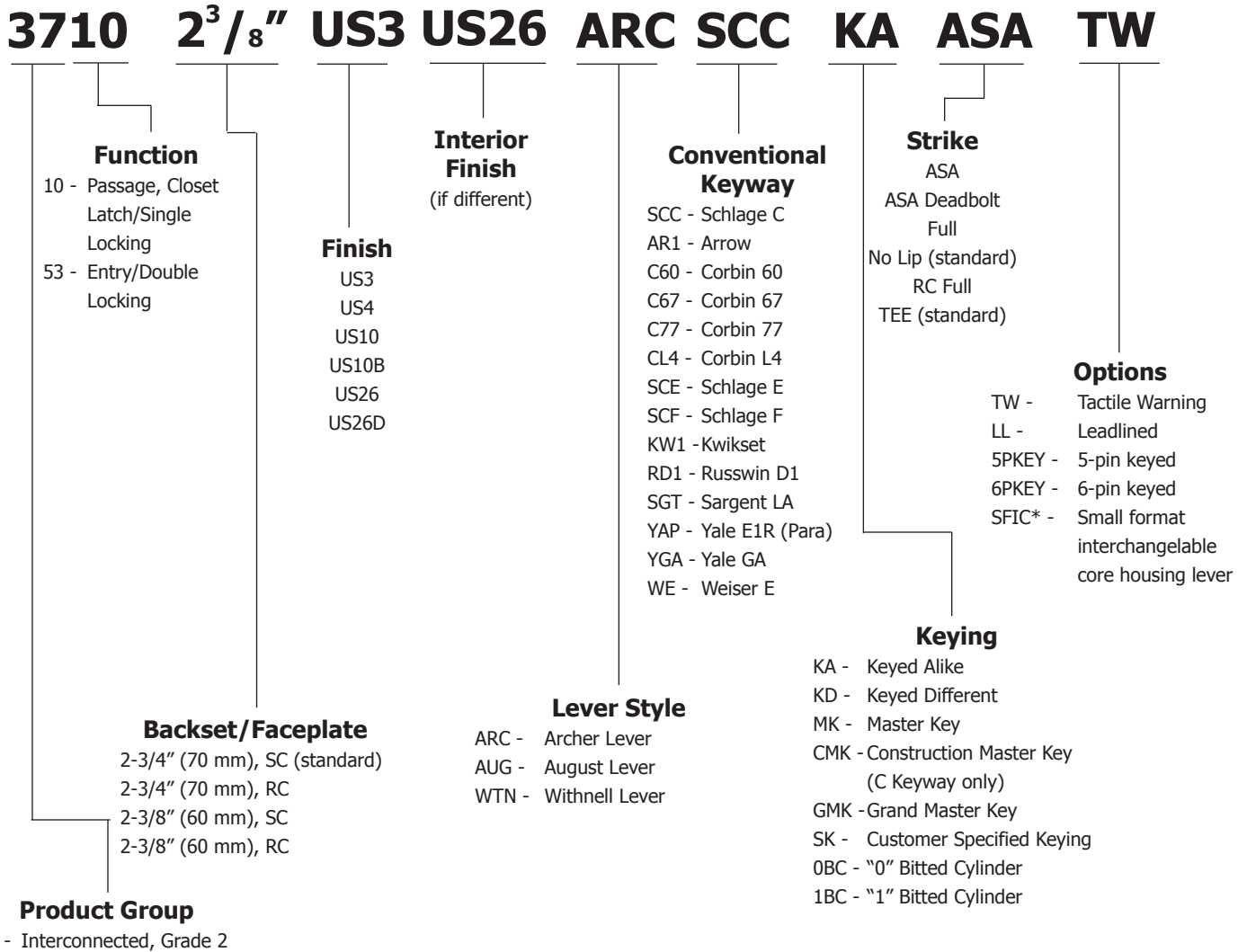
Available on:

- 3400 Series
- 3400 Series (Electrified)
- 3500 Series
- 3600 Series
- 3700 Series
- 3800 Series - Escutcheon
- 3800 Series - Sectional
- 3800 Series - Escutcheon (Electrified)
- 3800 Series - Sectional (Electrified)
- 2500 Series





3700 SERIES LOCKS HOW TO ORDER



Notes:

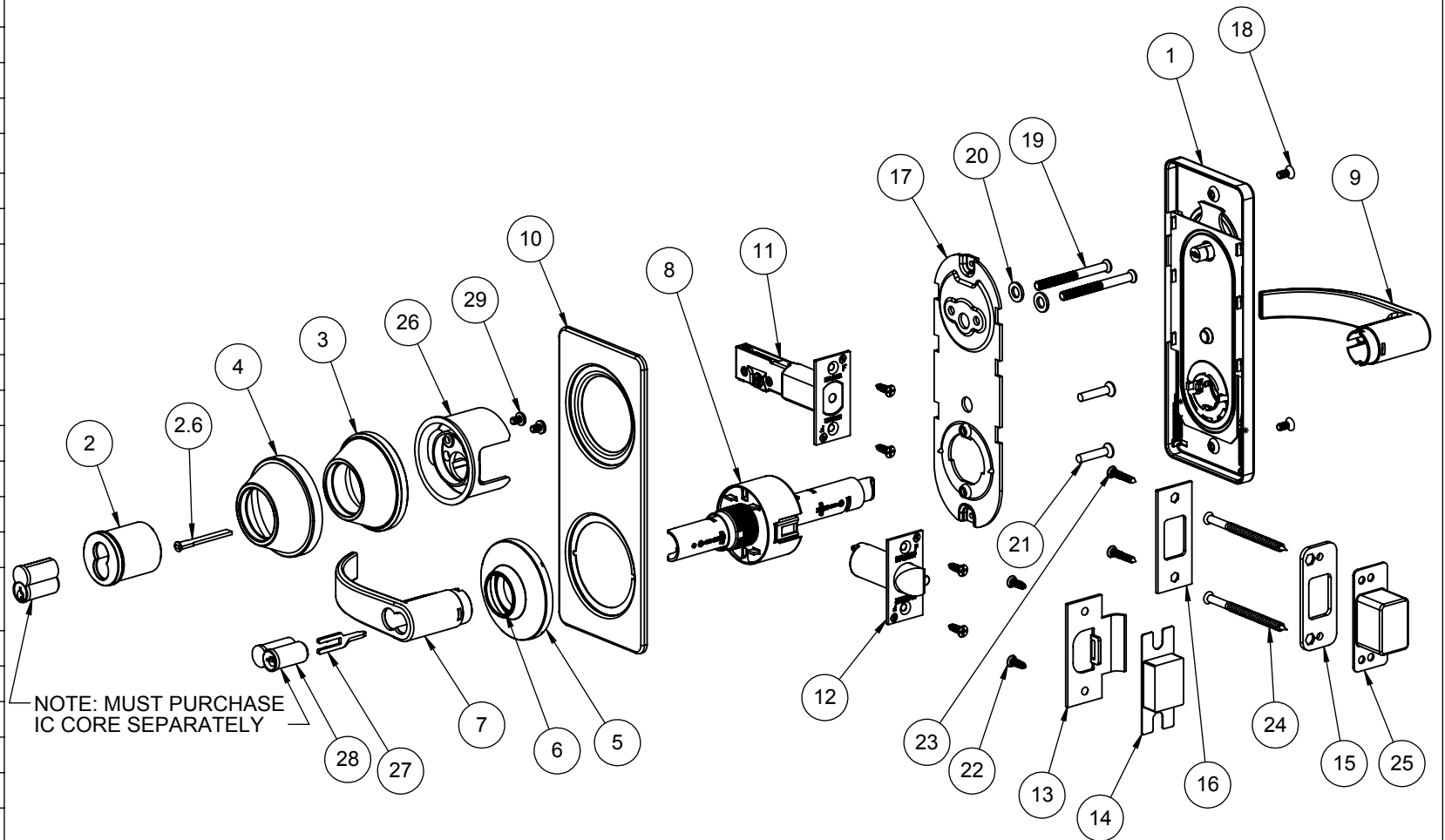
1. If master-keyed, include master key instruction sheet with order (available in catalog or online).

* Small format interchangeable core sold separately. Available in Best Keyways only, A Standard.


Ordering example: 3753 2-3/4" SC US26D WTN NC TEE SFIC



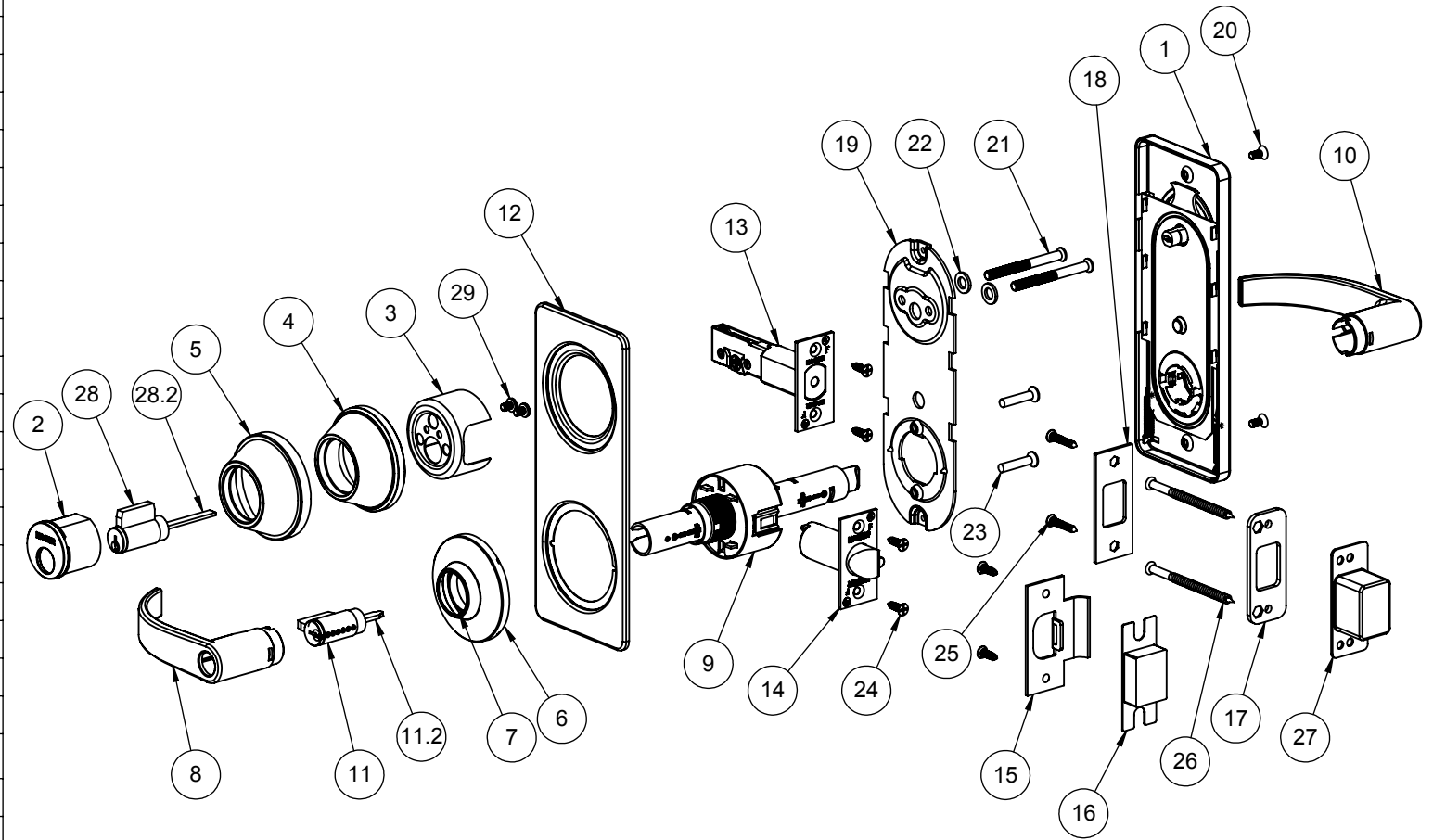
ITEM NO.	FILE NAME	DESCRIPTION	QTY.
1	S-LS00823	INSIDE ESCUTCHEON ASSEMBLY	1
2	S-LS00718	EXTERIOR THUMBTURN CYLINDER HOUSING - IC	1
2.6	S-LS00363	IC CORE TAILPIECE (2-639-7095)	1
3	S-LS00726	CYLINDER ROSE LINER	1
4	S-LS00728	CYLINDER ROSE	1
5	S-LS00541	INSIDE ROSE	1
6	S-LS00542	INSIDE ROSE LINER	1
7	S-LS00543	ARCHER IC LEVER	1
8	S-LS00822	LOCKSET CHASSIS - 53 FUNCTION IC CORE	1
9	S-LS00543	ARCHER PRIVACY LEVER	1
10	S-LS00532	OUTSIDE ESCUTCHEON (OPTIONAL)	1
11	S-LS00007	3940 DEADBOLT LATCH (2-3/4" BACKSET)	1
12	S-LS00306	3948 DEAD LATCH (2-3/4" BACKSET)	1
13	S-LS00143	T-STRIKE	1
14	S-LS00534	T-STRIKE DUST BOX	1
15	S-LS00724	DEADBOLT WOOD REINFORCER	1
16	S-LS00723	DEADBOLT STRIKE	1
17	S-LS00535	INSTALLATION PLATE	1
18	Oval Head_AI	#8-32x3/8" OPHMS	2
19	S-LS00883	CUSTOM #12-24 X 2-5/16" FPHMS	2
20	Flat Washer Type B Narrow_AI	1/4" NS FLAT WASHER	2
21	Oval Head_AM	CUSTOM M5 X 25MM OPHMS	2
22	S-LS00882	#8 X 3/4" FPH COMBO SCREW	6
23	S-LS00882	#8 X 1-1/4" FPH COMBO SCREW	2
24	S-LS00885	CUSTOM #10 X 3" FPHWS	2
25	S-LS00725	DEADBOLT DUST BOX	1
26	S-LS00379	IC CORE CYLINDER FIRE SHIELD	1
27	S-LS00621	IC TAILPIECE (2-639-7090)	1
28	S-LS00550	INTERCHANGEABLE CORE	2
29	Pan Cross Head_AI	#8-32 X 1/4" PHMS	2




NOTE: ARCHER LEVER SHOWN, OTHERS OPTIONAL

 PROPRIETARY & CONFIDENTIAL THE INFORMATION CONTAINED IN THIS DRAWING IS THE SOLE PROPERTY OF HAGER COMPANIES. ANY REPRODUCTION IN PART OR AS A WHOLE WITHOUT THE WRITTEN PERMISSION OF HAGER COMPANIES IS PROHIBITED.	HAGER RESERVES THE RIGHT TO MAKE DESIGN CHANGES WITHOUT NOTICE. CALL HAGER ENGINEERING AT 1-800-325-9995 FOR THE LATEST REVISION DATE OF TEMPLATE.	MATERIAL	Material <not specified>	DRAWN	MRJ	1/6/2009	3753 GRADE 2 - ENTRY IC LEVERSET (INTERCONNECTED)		
		FINISH	-	ENG. APPR.	-	-			Q.A.
		DO NOT SCALE DRAWING			TOLERANCES: FRACTIONAL: ±0.015" ANGULAR: MACH: ±1° BEND: ±1° TWO PLACE DECIMAL: ±0.01" THREE PLACE DECIMAL: ±0.004"			SIZE	DWG. NO.
								B	S-LS00872
						SCALE: 1:12	WEIGHT: 4.63	SHEET 1 OF 1	

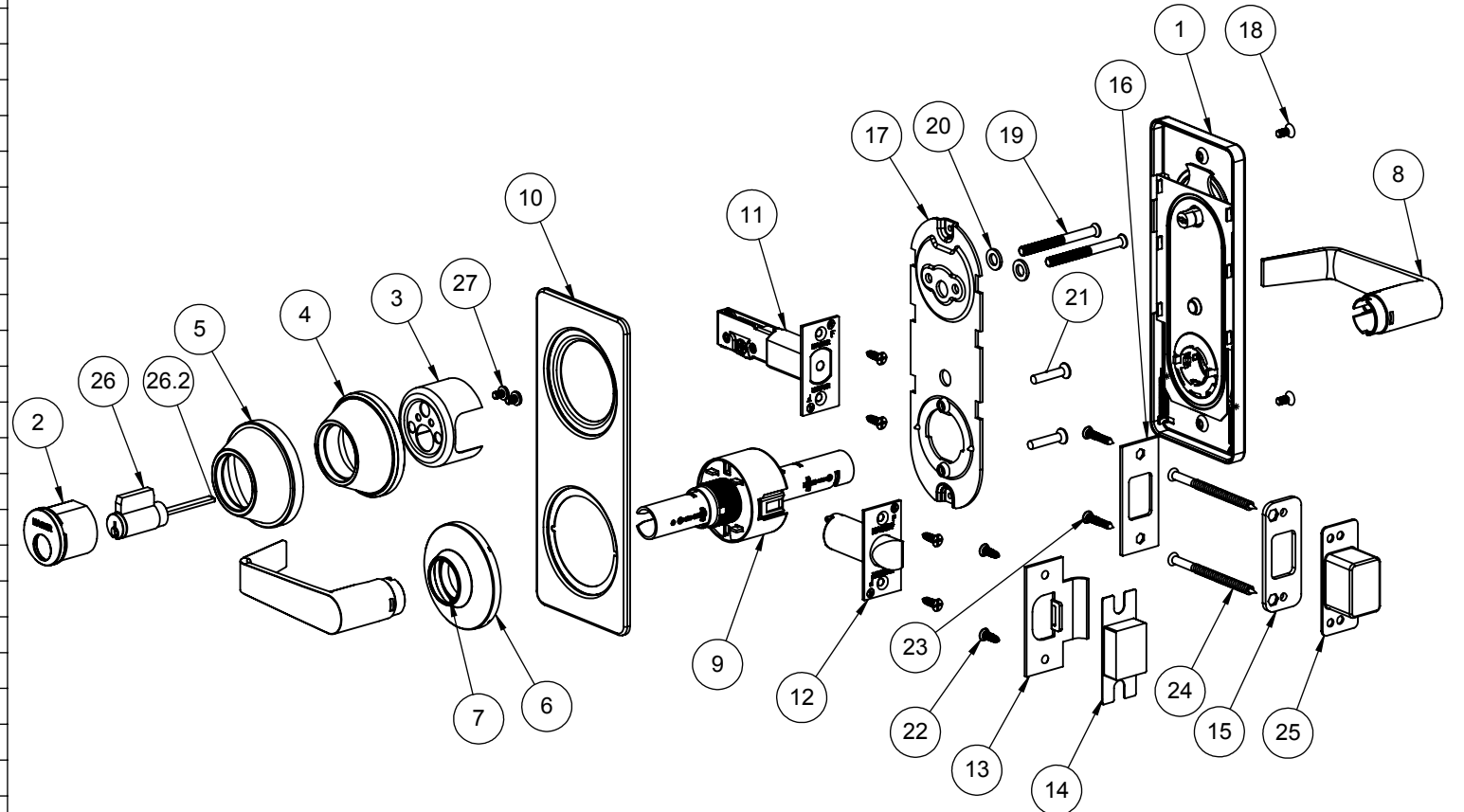
ITEM NO.	FILE NAME	DESCRIPTION	QTY.
1	S-LS00823	INSIDE ESCUTCHEON ASSEMBLY	1
2	S-LS00718	EXTERIOR DOUBLE CYLINDER HOUSING	1
3	S-LS00815	FIRE SHIELD	1
4	S-LS00726	CYLINDER ROSE LINER	1
5	S-LS00728	CYLINDER ROSE	1
6	S-LS00541	INSIDE ROSE	1
7	S-LS00542	INSIDE ROSE LINER	1
8	S-LS00543	ARCHER KEYED LEVER	1
9	S-LS00822	LOCKSET CHASSIS - 53 FUNCTION	1
10	S-LS00543	ARCHER PRIVACY LEVER	1
11	S-LS00617	6-PIN DRILLED CYLINDER	1
11.2	S-LS00214	TAILPIECE (2-639-7002)	1
12	S-LS00532	OUTSIDE ESCUTCHEON (OPTIONAL)	1
13	S-LS00007	3940 DEADBOLT LATCH (2-3/4" BACKSET)	1
14	S-LS00306	3948 DEAD LATCH (2-3/4" BACKSET)	1
15	S-LS00143	T-STRIKE	1
16	S-LS00534	T-STRIKE DUST BOX	1
17	S-LS00724	DEADBOLT WOOD REINFORCER	1
18	S-LS00723	DEADBOLT STRIKE	1
19	S-LS00535	INSTALLATION PLATE	1
20	Oval Head_AI	#8-32x3/8" OPHMS	2
21	S-LS00883	CUSTOM #12-24 X 2-5/16" FPHMS	2
22	Flat Washer Type B Narrow_AI	1/4" NS FLAT WASHER	2
23	Oval Head_AM	CUSTOM M5 X 25MM OPHMS	2
24	S-LS00882	#8 X 3/4" FPH COMBO SCREW	6
25	S-LS00882	#8 X 1-1/4" FPH COMBO SCREW	2
26	S-LS00885	CUSTOM #10 X 3" FPHWS	2
27	S-LS00725	DEADBOLT DUST BOX	1
28	S-LS00617	6-PIN DRILLED CYLINDER	1
28.2	S-LS00219	TAILPIECE (2-639-7007)	1
29	pan cross head_ai	#8-32 X 1/4" PHMS	2




NOTE 1: (2) KEYS PROVIDED
NOTE 2: ARCHER LEVER SHOWN, OTHERS OPTIONAL

 PROPRIETARY & CONFIDENTIAL THE INFORMATION CONTAINED IN THIS DRAWING IS THE SOLE PROPERTY OF HAGER COMPANIES. ANY REPRODUCTION IN PART OR AS A WHOLE WITHOUT THE WRITTEN PERMISSION OF HAGER COMPANIES IS PROHIBITED.	HAGER RESERVES THE RIGHT TO MAKE DESIGN CHANGES WITHOUT NOTICE. CALL HAGER ENGINEERING AT 1-800-325-9995 FOR THE LATEST REVISION DATE OF TEMPLATE.	MATERIAL	Material <not specified>	DRAWN	MRJ	1/6/2009	3753 GRADE 2 - ENTRY LEVERSET (INTERCONNECTED)		
		FINISH	-	ENG. APPR.	-	-			Q.A.
		DO NOT SCALE DRAWING			TOLERANCES: FRACTIONAL: ±0.015" ANGULAR: MACH: ± 1° BEND: ±1° TWO PLACE DECIMAL: ±0.01" THREE PLACE DECIMAL: ±0.004"			SIZE	DWG. NO.
								B	S-LS00873
						SCALE: 1:12	WEIGHT: 4.15	SHEET 1 OF 1	

ITEM NO.	FILE NAME	Description	QTY.
1	S-LS00823	INSIDE ESCUTCHEON ASSEMBLY	1
2	S-LS00718	EXTERIOR DOUBLE CYLINDER HOUSING	1
3	S-LS00815	FIRE SHIELD	1
4	S-LS00726	CYLINDER ROSE LINER	1
5	S-LS00728	CYLINDER ROSE	1
6	S-LS00541	INSIDE ROSE	1
7	S-LS00542	INSIDE ROSE LINER	1
8	S-LS00543	WITHNELL PASSAGE LEVER	2
9	S-LS00822	LOCKSET CHASSIS - 10 FUNCTION	1
10	S-LS00532	OUTSIDE ESCUTCHEON (OPTIONAL)	1
11	S-LS00007	3940 DEADBOLT LATCH (2-3/4" BACKSET)	1
12	S-LS00306	3947 SPRING LATCH (2-3/4" BACKSET)	1
13	S-LS00143	T-STRIKE	1
14	S-LS00534	T-STRIKE DUST BOX	1
15	S-LS00724	DEADBOLT WOOD REINFORCER	1
16	S-LS00723	DEADBOLT STRIKE	1
17	S-LS00535	INSTALLATION PLATE	1
18	Oval Head_AI	#8-32x3/8" OPHMS	2
19	S-LS00883	CUSTOM #12-24 X 2-5/16" FPHMS	2
20	Flat Washer Type B Narrow_AI	1/4" NS FLAT WASHER	2
21	Oval Head_AM	CUSTOM M5 X 25MM OPHMS	2
22	S-LS00882	#8 X 3/4" FPH COMBO SCREW	6
23	S-LS00882	#8 X 1-1/4" FPH COMBO SCREW	2
24	S-LS00885	CUSTOM #10 X 3" FPHWS	2
25	S-LS00725	DEADBOLT DUST BOX	1
26	S-LS00617	6-PIN DRILLED CYLINDER	1
26.2	S-LS00219	TAILPIECE (2-639-7007)	1
27	pan cross head_ai	#8-32 X 1/4" PHMS	2



NOTE 1: (2) KEYS PROVIDED
NOTE 2: WITHNELL LEVER SHOWN, OTHERS OPTIONAL

 PROPRIETARY & CONFIDENTIAL THE INFORMATION CONTAINED IN THIS DRAWING IS THE SOLE PROPERTY OF HAGER COMPANIES. ANY REPRODUCTION IN PART OR AS A WHOLE WITHOUT THE WRITTEN PERMISSION OF HAGER COMPANIES IS PROHIBITED.	HAGER RESERVES THE RIGHT TO MAKE DESIGN CHANGES WITHOUT NOTICE. CALL HAGER ENGINEERING AT 1-800-325-9995 FOR THE LATEST REVISION DATE OF TEMPLATE.	DRAWN	MRJ	1/6/2009	3710 GRADE 2 - PASSAGE LEVERSET (INTERCONNECTED)		
		ENG. APPR.	-	-			
		MATERIAL	Material <not specified>			Q.A.	
		FINISH	-			TOLERANCES: FRACTIONAL: ±0.015" ANGULAR: MACH: ±1° BEND: ±1° TWO PLACE DECIMAL: ±0.01" THREE PLACE DECIMAL: ±0.004"	
DO NOT SCALE DRAWING		SCALE: 1:12		WEIGHT: 3.96		SIZE DWG. NO. B S-LS00874	REV. 01
						SHEET 1 OF 1	