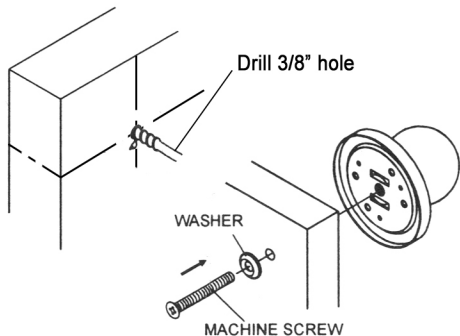




# 3417 and 3517 Dummy Knob Installation Instructions

Meets ANSI 156.2



Measure centerline of lock height as desired from finished floor. Measure backset as desired from door edge and mark centerline. Drill 3/8" hole through door. Insert machine screw through door and tighten securely with knob.