



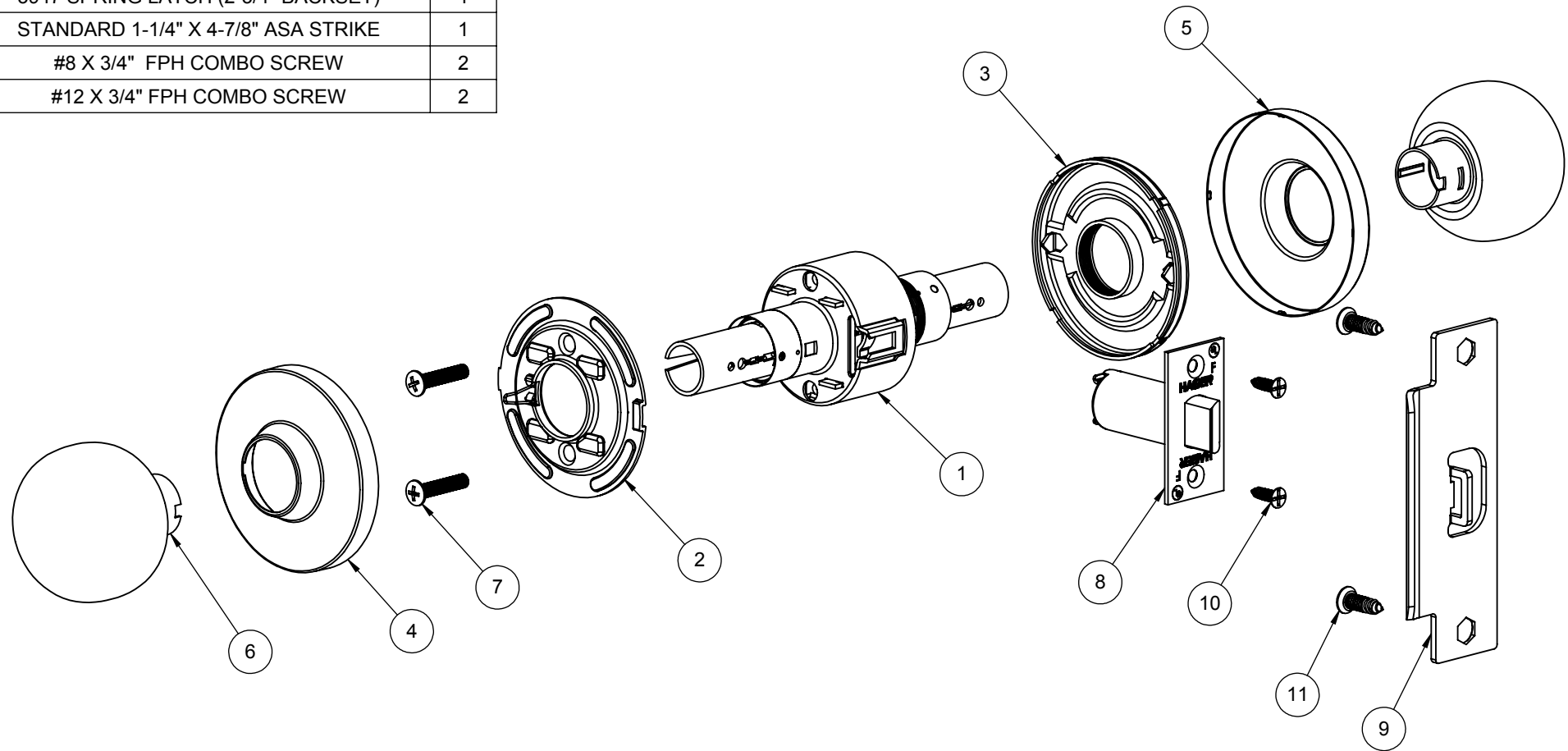
## 3500 Series Knob


**Description:** Cylindrical Locks - Grade 2 > 3500 Series Knob



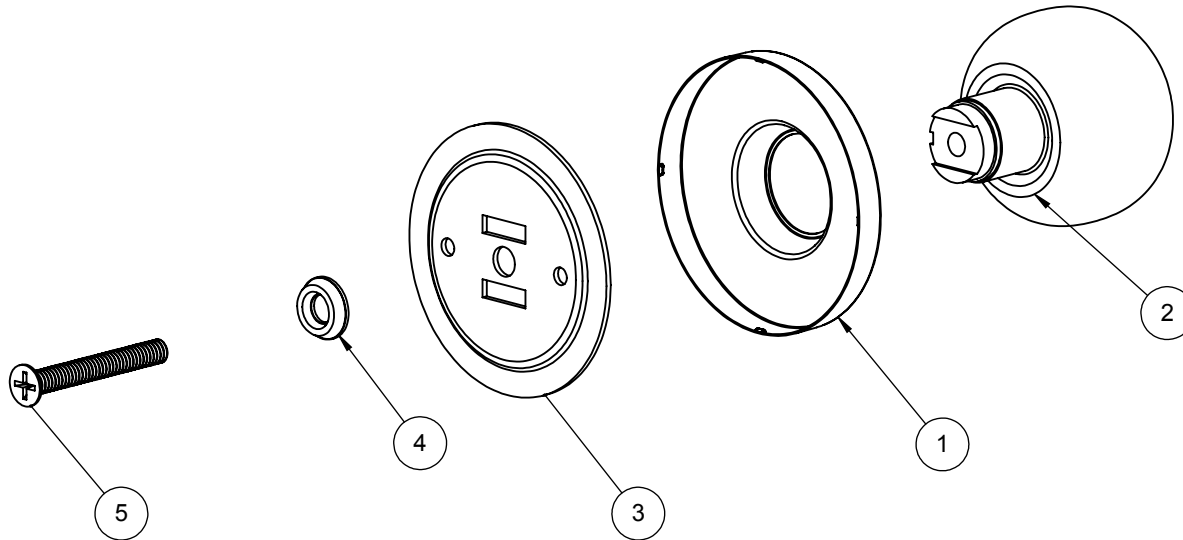
Applications	<ul style="list-style-type: none"> <li>- Standard Duty Commercial</li> <li>- Standard Door Prep - 2 1/8" Diameter (Cross Bore)</li> <li>- Latch Hole - 1" Diameter (Edge Bore)</li> </ul>	Door Thickness	<ul style="list-style-type: none"> <li>- 1 3/8" - 1 3/4"</li> </ul>
Certifications	<ul style="list-style-type: none"> <li>- BHMA Certified ANSI A156.2, Series 4000, Grade 2</li> <li>- UL/cUL Listed for all functions up to 3 hours for "A" label single doors</li> <li>- UL10C/ULC 7-2 (1997) Positive Pressure Rated</li> <li>- UL10B Neutral Pressure Rated</li> </ul>	Backset	<ul style="list-style-type: none"> <li>- 2 3/4"</li> <li>- 2 3/8" - Optional</li> </ul>
Knob Diameter	<ul style="list-style-type: none"> <li>- 2-9/32" (58 mm)</li> </ul>	Latchbolt	<ul style="list-style-type: none"> <li>- 1/2" Throw - Stainless Steel</li> <li>- 2 1/4" x 1 1/8" Faceplate</li> <li>- Deadlocking latchbolt prevents manipulation when door is closed; keyed functions only</li> </ul>
Rose Diameter	<ul style="list-style-type: none"> <li>- 3" (76 mm)</li> </ul>	Strikes	<ul style="list-style-type: none"> <li>- ANSI 4-7/8" x 1-1/4" strike - standard</li> <li>- Optional strikes available</li> </ul>
Exposed Trim	<ul style="list-style-type: none"> <li>- Wrought Brass or Stainless Steel</li> </ul>	Functions	<ul style="list-style-type: none"> <li>- 53 Entry</li> <li>- 70 Classroom</li> <li>- 80 Storeroom</li> <li>- 40 Privacy</li> <li>- 10 Passage</li> <li>- 17 Dummy</li> </ul>
Lock Chassis	<ul style="list-style-type: none"> <li>- Heavy guage steel, zinc dichromated for corrosion resistance</li> </ul>	Finishes	<ul style="list-style-type: none"> <li>- US3, US32D</li> </ul>
Keys	<ul style="list-style-type: none"> <li>- Two brass keys per lock</li> </ul>		
Cylinders	<ul style="list-style-type: none"> <li>- Brass 6-pin - Keyed Different - C Keyway</li> <li>- Other keying options available from the factory</li> </ul>		

ITEM NO.	FILE NUMBER	DESCRIPTION	QTY.
1	S-LS00960	KNOBSET CHASSIS - 10 FUNCTION	1
2	S-LS00966	INSIDE ROSE LINER	1
3	S-LS00962	OUTSIDE ROSE LINER	1
4	S-LS00952	INSIDE ROSE (KNOB)	1
5	S-LS00952	OUTSIDE ROSE (KNOB)	1
6	S-LS00953	APOLLO PASSAGE KNOB	2
7	Oval Head_AM	M5x25mm OPHMS	2
8	S-LS00306	3947 SPRING LATCH (2-3/4" BACKSET)	1
9	S-LS00236	STANDARD 1-1/4" X 4-7/8" ASA STRIKE	1
10	S-LS00882	#8 X 3/4" FPH COMBO SCREW	2
11	S-LS00882	#12 X 3/4" FPH COMBO SCREW	2



 <b>PROPRIETARY &amp; CONFIDENTIAL</b> THE INFORMATION CONTAINED IN THIS DRAWING IS THE SOLE PROPERTY OF HAGER COMPANIES. ANY REPRODUCTION IN PART OR AS A WHOLE WITHOUT THE WRITTEN PERMISSION OF HAGER COMPANIES IS PROHIBITED.	HAGER RESERVES THE RIGHT TO MAKE DESIGN CHANGES WITHOUT NOTICE. CALL HAGER ENGINEERING AT 1-800-325-9995 FOR THE LATEST REVISION DATE OF TEMPLATE.	DRAWN	MRJ	11/22/2010	<b>3510</b> <b>GRADE 2 - PASSAGE KNOBSET</b>		
		ENG. APPR.	-	-			
		MATERIAL	Material <not specified>			Q.A.	
		FINISH	-			TOLERANCES: FRACTIONAL: ±0.015" ANGULAR: MACH: ±1° BEND: ±1° TWO PLACE DECIMAL: ±0.01" THREE PLACE DECIMAL: ±0.004"	
DO NOT SCALE DRAWING		SIZE	DWG. NO.		REV.		
		<b>B</b>	S-LS01049		<b>01</b>		
		SCALE:1:4	WEIGHT: 1.31		SHEET 1 OF 1		

ITEM NO.	FILE NUMBER	DESCRIPTION	QTY.
1	S-LS00952	OUTSIDE ROSE (KNOB)	1
2	S-LS01058	DUMMY KNOB ASSEMBLY	1
3	S-LS00444	KNOB DUMMY MOUNTING PLATE	1
4	S-LS00448	FINISH WASHER	1
5	Flat Head 100 Screw_AI	1/4-20 x 2" FPHMS	1



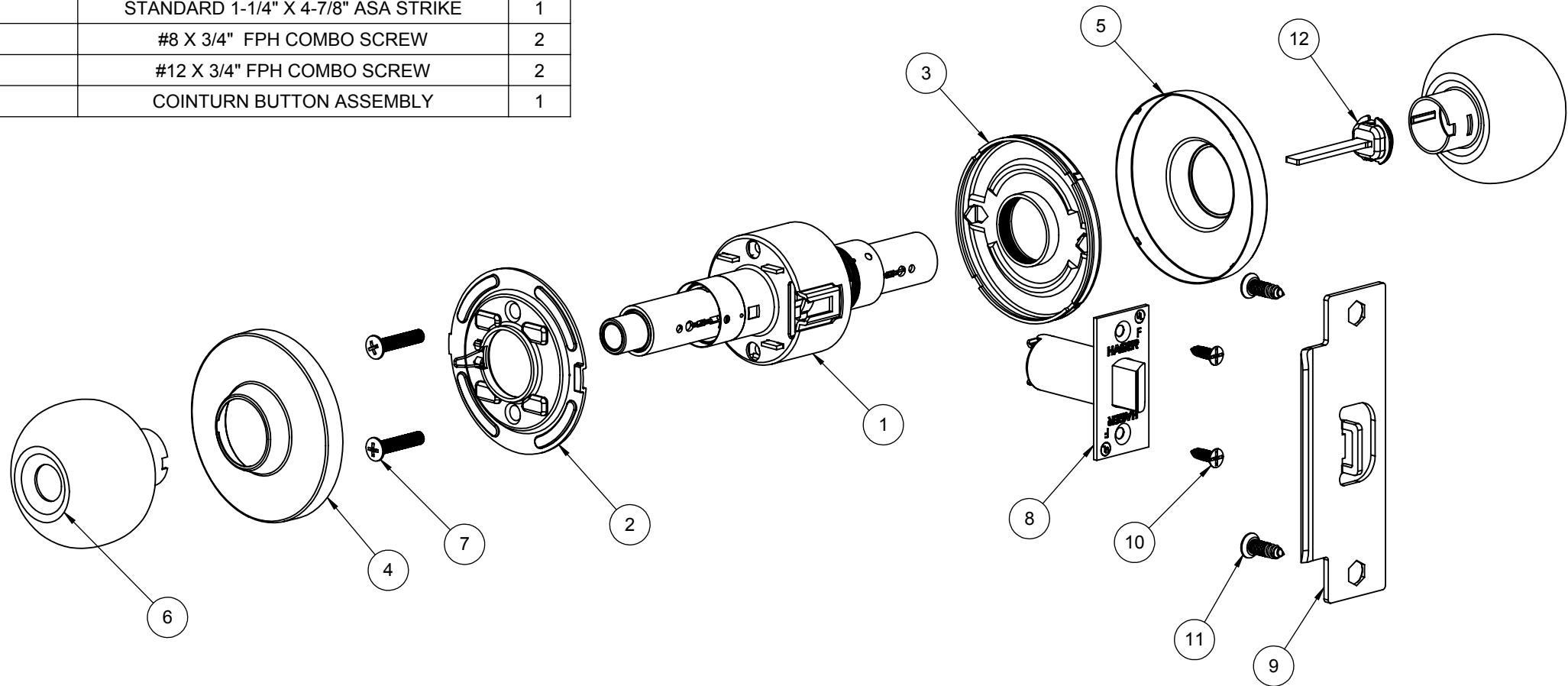
**PROPRIETARY & CONFIDENTIAL**  
 THE INFORMATION CONTAINED IN THIS DRAWING IS THE SOLE PROPERTY OF HAGER COMPANIES. ANY REPRODUCTION IN PART OR AS A WHOLE WITHOUT THE WRITTEN PERMISSION OF HAGER COMPANIES IS PROHIBITED.


HAGER RESERVES THE RIGHT TO MAKE DESIGN CHANGES WITHOUT NOTICE. CALL HAGER ENGINEERING AT 1-800-325-9995 FOR THE LATEST REVISION DATE OF TEMPLATE.

DRAWN	MRJ	11/22/2010
ENG. APPR.	-	-
MATERIAL	Material <not specified>	
FINISH	-	
DO NOT SCALE DRAWING		
TOLERANCES: FRACTIONAL: ±0.015" ANGULAR: MACH: ± 1° BEND: ±1° TWO PLACE DECIMAL: ±0.01" THREE PLACE DECIMAL: ±0.004"		

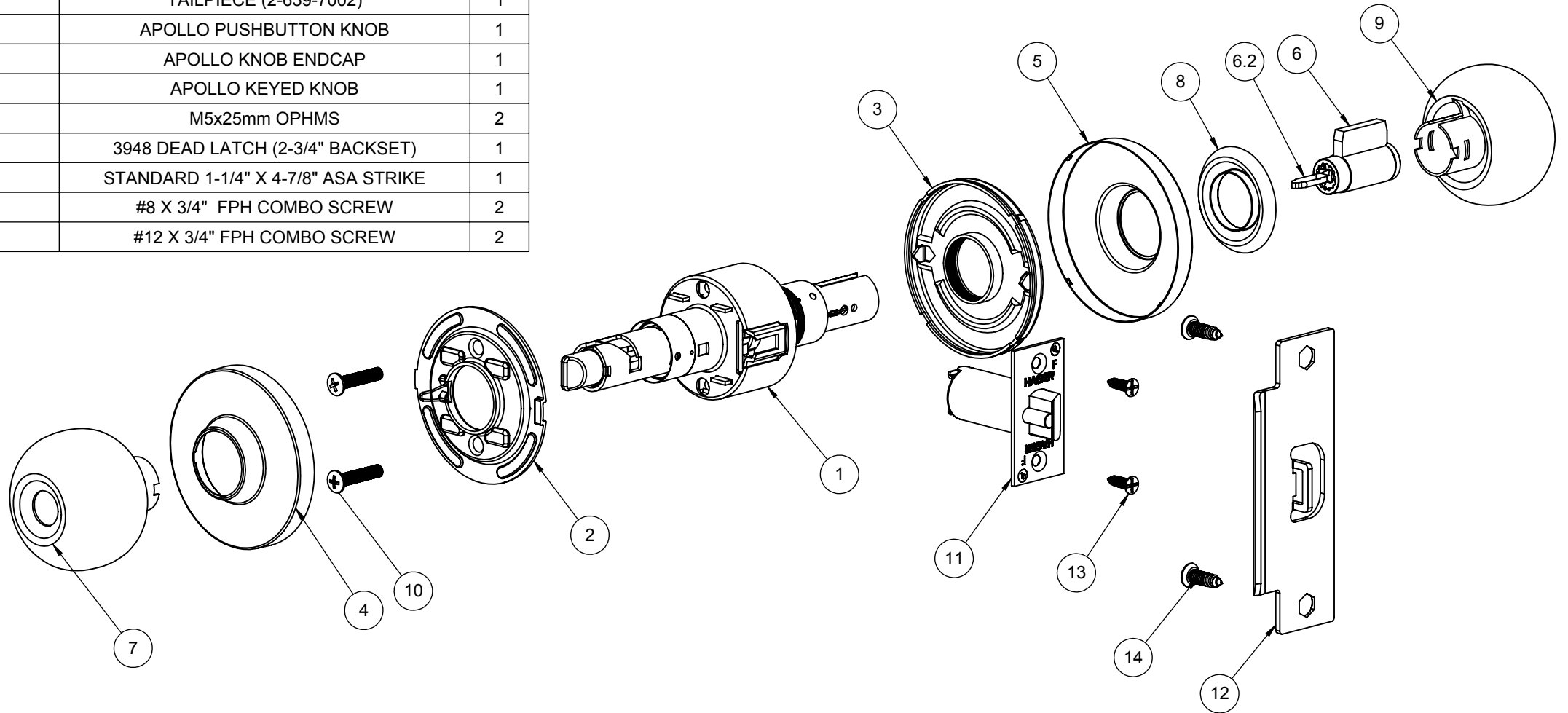
3517	
<b>GRADE 2 - DUMMY KNOBSET</b>	
SIZE	REV.
<b>A</b>	02
DWG. NO.	WEIGHT: 0.06
S-LS01060	SHEET 1 OF 1

ITEM NO.	FILE NUMBER	DESCRIPTION	QTY.
1	S-LS00960	KNOBSET CHASSIS - 40 FUNCTION	1
2	S-LS00966	INSIDE ROSE LINER	1
3	S-LS00962	OUTSIDE ROSE LINER	1
4	S-LS00952	INSIDE ROSE (KNOB)	1
5	S-LS00952	OUTSIDE ROSE (KNOB)	1
6	S-LS00953	APOLLO PUSHBUTTON KNOB	2
7	Oval Head_AM	M5x25mm OPHMS	2
8	S-LS00306	3965 SPRING LATCH (2-3/4" BACKSET)	1
9	S-LS00236	STANDARD 1-1/4" X 4-7/8" ASA STRIKE	1
10	S-LS00882	#8 X 3/4" FPH COMBO SCREW	2
11	S-LS00882	#12 X 3/4" FPH COMBO SCREW	2
12	S-LS01042	COINTURN BUTTON ASSEMBLY	1




 <p><b>PROPRIETARY &amp; CONFIDENTIAL</b></p> <p>THE INFORMATION CONTAINED IN THIS DRAWING IS THE SOLE PROPERTY OF HAGER COMPANIES. ANY REPRODUCTION IN PART OR AS A WHOLE WITHOUT THE WRITTEN PERMISSION OF HAGER COMPANIES IS PROHIBITED.</p>	<p>HAGER RESERVES THE RIGHT TO MAKE DESIGN CHANGES WITHOUT NOTICE. CALL HAGER ENGINEERING AT 1-800-325-9995 FOR THE LATEST REVISION DATE OF TEMPLATE.</p>	MATERIAL	Material <not specified>	DRAWN	MRJ	11/22/2010	<p><b>3540</b> <b>GRADE 2 - PRIVACY KNOBSET</b></p>	
		FINISH	-	ENG. APPR.	-	-		
		DO NOT SCALE DRAWING		<p>TOLERANCES:</p> <p>FRACTIONAL: ±0.015"</p> <p>ANGULAR: MACH: ± 1° BEND: ±1°</p> <p>TWO PLACE DECIMAL: ±0.01"</p> <p>THREE PLACE DECIMAL: ±0.004"</p>			<p>REV.</p> <p>01</p>	
							SCALE:1:4	WEIGHT: 1.31

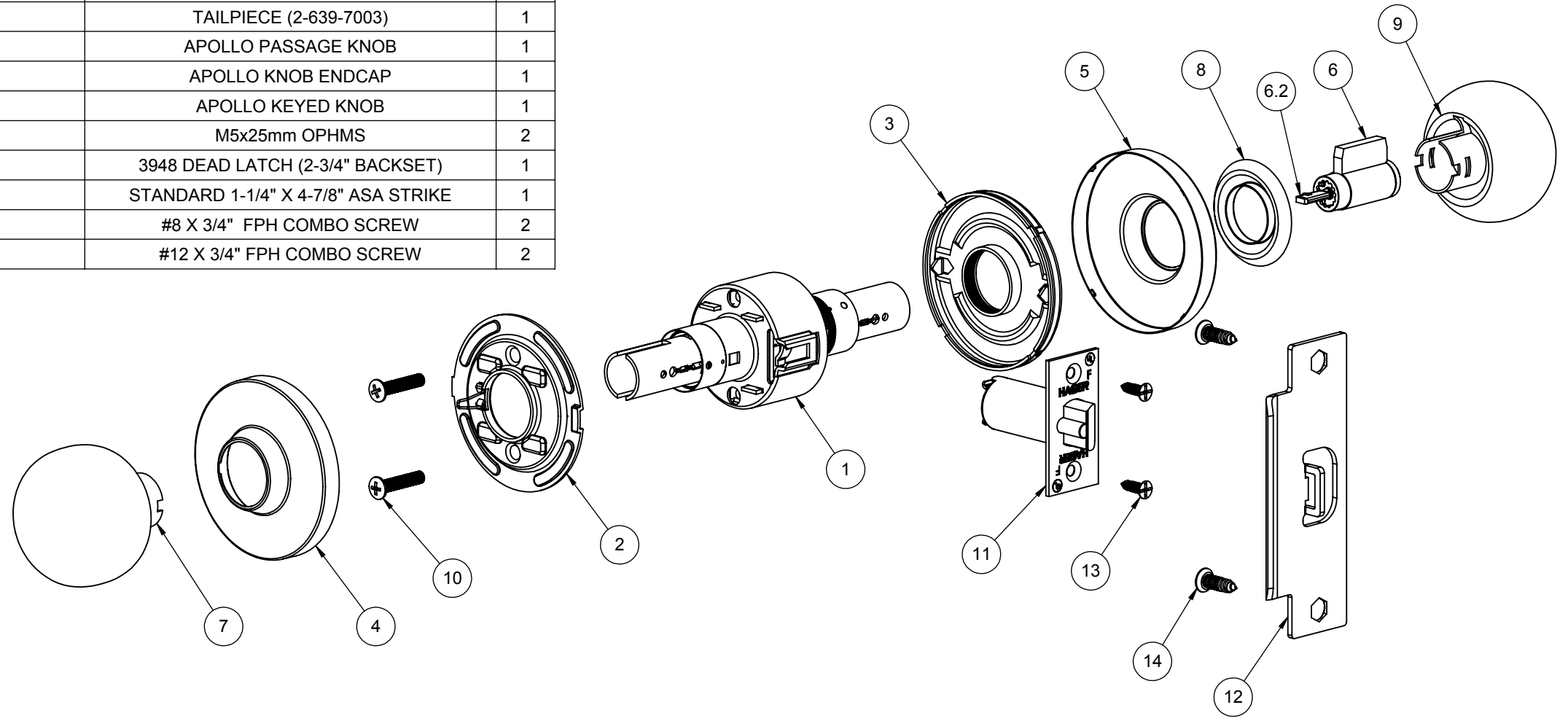
ITEM NO.	FILE NUMBER	DESCRIPTION	QTY.
1	S-LS00960	KNOBSET CHASSIS - 53 FUNCTION	1
2	S-LS00966	INSIDE ROSE LINER	1
3	S-LS00962	OUTSIDE ROSE LINER	1
4	S-LS00952	INSIDE ROSE (KNOB)	1
5	S-LS00952	OUTSIDE ROSE (KNOB)	1
6	S-LS00617	6-PIN DRILLED CYLINDER	1
6.2	S-LS00214	TAILPIECE (2-639-7002)	1
7	S-LS00953	APOLLO PUSHBUTTON KNOB	1
8	S-LS00954	APOLLO KNOB ENDCAP	1
9	S-LS00953	APOLLO KEYED KNOB	1
10	Oval Head_AM	M5x25mm OPHMS	2
11	S-LS00306	3948 DEAD LATCH (2-3/4" BACKSET)	1
12	S-LS00236	STANDARD 1-1/4" X 4-7/8" ASA STRIKE	1
13	S-LS00882	#8 X 3/4" FPH COMBO SCREW	2
14	S-LS00882	#12 X 3/4" FPH COMBO SCREW	2




NOTE: (2) KEYS PROVIDED

 <b>PROPRIETARY &amp; CONFIDENTIAL</b> THE INFORMATION CONTAINED IN THIS DRAWING IS THE SOLE PROPERTY OF HAGER COMPANIES. ANY REPRODUCTION IN PART OR AS A WHOLE WITHOUT THE WRITTEN PERMISSION OF HAGER COMPANIES IS PROHIBITED.	HAGER RESERVES THE RIGHT TO MAKE DESIGN CHANGES WITHOUT NOTICE. CALL HAGER ENGINEERING AT 1-800-325-9995 FOR THE LATEST REVISION DATE OF TEMPLATE.	MATERIAL	Material <not specified>	DRAWN	MRJ	11/22/2010	<b>3553</b> <b>GRADE 2 - ENTRY KNOBSET</b>			
		FINISH	-	ENG. APPR.	-	-			Q.A.	
		DO NOT SCALE DRAWING			TOLERANCES: FRACTIONAL: ±0.015" ANGULAR: MACH: ±1° BEND: ±1° TWO PLACE DECIMAL: ±0.01" THREE PLACE DECIMAL: ±0.004"			SIZE	DWG. NO.	REV.
								<b>B</b>	S-LS01051	<b>01</b>
						SCALE:1:4	WEIGHT: 1.25	SHEET 1 OF 1		

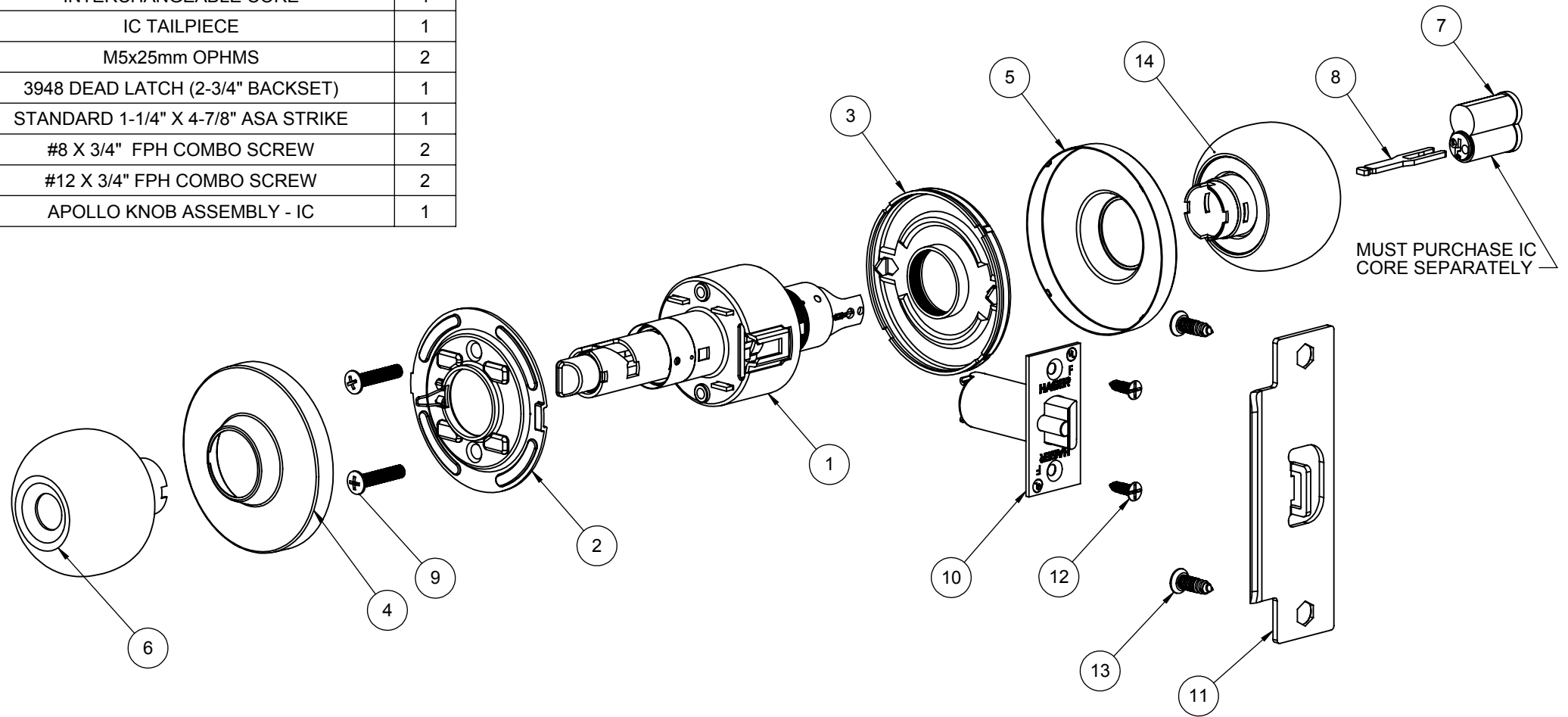
ITEM NO.	FILE NUMBER	DESCRIPTION	QTY.
1	S-LS00960	KNOBSET CHASSIS - 70 FUNCTION	1
2	S-LS00966	INSIDE ROSE LINER	1
3	S-LS00962	OUTSIDE ROSE LINER	1
4	S-LS00952	INSIDE ROSE (KNOB)	1
5	S-LS00952	OUTSIDE ROSE (KNOB)	1
6	S-LS00617	6 PIN DRILLED CYLINDER	1
6.2	S-LS00215	TAILPIECE (2-639-7003)	1
7	S-LS00953	APOLLO PASSAGE KNOB	1
8	S-LS00954	APOLLO KNOB ENDCAP	1
9	S-LS00953	APOLLO KEYED KNOB	1
10	Oval Head_AM	M5x25mm OPHMS	2
11	S-LS00306	3948 DEAD LATCH (2-3/4" BACKSET)	1
12	S-LS00236	STANDARD 1-1/4" X 4-7/8" ASA STRIKE	1
13	S-LS00882	#8 X 3/4" FPH COMBO SCREW	2
14	S-LS00882	#12 X 3/4" FPH COMBO SCREW	2




NOTE: (2) KEYS PROVIDED

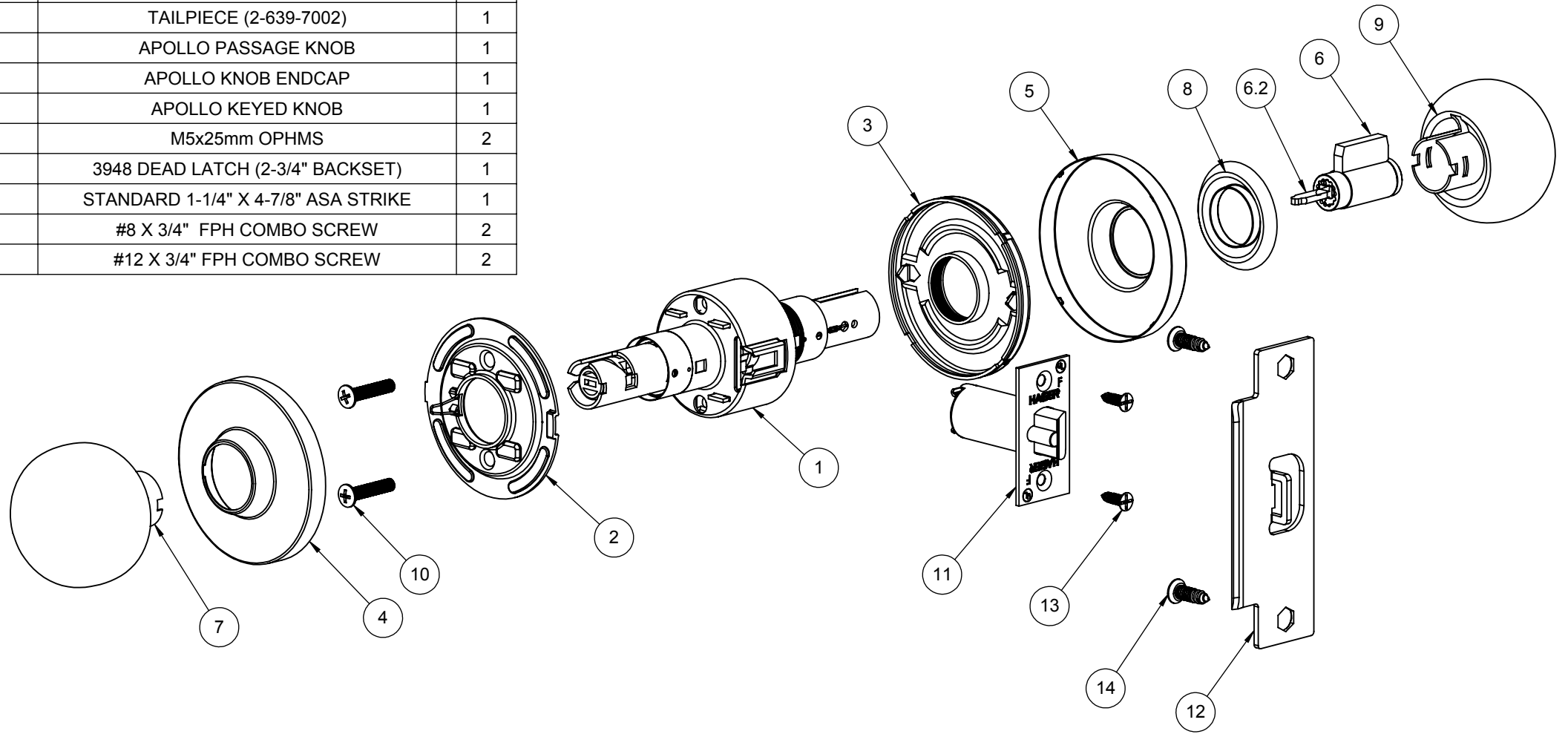
 <b>PROPRIETARY &amp; CONFIDENTIAL</b> THE INFORMATION CONTAINED IN THIS DRAWING IS THE SOLE PROPERTY OF HAGER COMPANIES. ANY REPRODUCTION IN PART OR AS A WHOLE WITHOUT THE WRITTEN PERMISSION OF HAGER COMPANIES IS PROHIBITED.	HAGER RESERVES THE RIGHT TO MAKE DESIGN CHANGES WITHOUT NOTICE. CALL HAGER ENGINEERING AT 1-800-325-9995 FOR THE LATEST REVISION DATE OF TEMPLATE.	MATERIAL	Material <not specified>	DRAWN	MRJ	11/22/2010	<b>3570</b> <b>GRADE 2 - CLASSROOM KNOBSET</b>		
		FINISH	-	ENG. APPR.	-	-			Q.A.
		DO NOT SCALE DRAWING			TOLERANCES: FRACTIONAL: ±0.015" ANGULAR: MACH: ±1° BEND: ±1° TWO PLACE DECIMAL: ±0.01" THREE PLACE DECIMAL: ±0.004"			SIZE	DWG. NO.
								<b>B</b>	S-LS01053
						SCALE:1:4	WEIGHT: 1.31	SHEET 1 OF 1	

ITEM NO.	FILE NUMBER	DESCRIPTION	QTY.
1	S-LS00960	KNOBSET CHASSIS - 53 FUNCTION - IC	1
2	S-LS00966	INSIDE ROSE LINER	1
3	S-LS00962	OUTSIDE ROSE LINER	1
4	S-LS00952	INSIDE ROSE (KNOB)	1
5	S-LS00952	OUTSIDE ROSE (KNOB)	1
6	S-LS00953	APOLLO PUSHBUTTON KNOB	1
7	S-LS00550	INTERCHANGEABLE CORE	1
8	S-LS00225	IC TAILPIECE	1
9	Oval Head_AM	M5x25mm OPHMS	2
10	S-LS00306	3948 DEAD LATCH (2-3/4" BACKSET)	1
11	S-LS00236	STANDARD 1-1/4" X 4-7/8" ASA STRIKE	1
12	S-LS00882	#8 X 3/4" FPH COMBO SCREW	2
13	S-LS00882	#12 X 3/4" FPH COMBO SCREW	2
14	S-LS01055	APOLLO KNOB ASSEMBLY - IC	1




 <b>PROPRIETARY &amp; CONFIDENTIAL</b> THE INFORMATION CONTAINED IN THIS DRAWING IS THE SOLE PROPERTY OF HAGER COMPANIES. ANY REPRODUCTION IN PART OR AS A WHOLE WITHOUT THE WRITTEN PERMISSION OF HAGER COMPANIES IS PROHIBITED.	HAGER RESERVES THE RIGHT TO MAKE DESIGN CHANGES WITHOUT NOTICE. CALL HAGER ENGINEERING AT 1-800-325-9995 FOR THE LATEST REVISION DATE OF TEMPLATE.	DRAWN	MRJ	11/22/2010	<b>3553</b> <b>GRADE 2 - ENTRY KNOBSET - IC</b>		
		ENG. APPR.	-	-			
		MATERIAL	Material <not specified>			Q.A.	
		FINISH	-			TOLERANCES: FRACTIONAL: ±0.015" ANGULAR: MACH: ±1° BEND: ±1° TWO PLACE DECIMAL: ±0.01" THREE PLACE DECIMAL: ±0.004"	
DO NOT SCALE DRAWING		SIZE	DWG. NO.		REV.		
		<b>B</b>	S-LS01052		<b>02</b>		
		SCALE:1:4	WEIGHT: 1.28		SHEET 1 OF 1		

ITEM NO.	FILE NUMBER	DESCRIPTION	QTY.
1	S-LS00960	KNOBSET CHASSIS - 80 FUNCTION	1
2	S-LS00966	INSIDE ROSE LINER	1
3	S-LS00962	OUTSIDE ROSE LINER	1
4	S-LS00952	INSIDE ROSE (KNOB)	1
5	S-LS00952	OUTSIDE ROSE (KNOB)	1
6	S-LS00617	6-PIN DRILLED CYLINDER	1
6.2	S-LS00214	TAILPIECE (2-639-7002)	1
7	S-LS00953	APOLLO PASSAGE KNOB	1
8	S-LS00954	APOLLO KNOB ENDCAP	1
9	S-LS00953	APOLLO KEYED KNOB	1
10	Oval Head_AM	M5x25mm OPHMS	2
11	S-LS00306	3948 DEAD LATCH (2-3/4" BACKSET)	1
12	S-LS00236	STANDARD 1-1/4" X 4-7/8" ASA STRIKE	1
13	S-LS00882	#8 X 3/4" FPH COMBO SCREW	2
14	S-LS00882	#12 X 3/4" FPH COMBO SCREW	2



NOTE: (2) KEYS PROVIDED

 <b>PROPRIETARY &amp; CONFIDENTIAL</b> THE INFORMATION CONTAINED IN THIS DRAWING IS THE SOLE PROPERTY OF HAGER COMPANIES. ANY REPRODUCTION IN PART OR AS A WHOLE WITHOUT THE WRITTEN PERMISSION OF HAGER COMPANIES IS PROHIBITED.	HAGER RESERVES THE RIGHT TO MAKE DESIGN CHANGES WITHOUT NOTICE. CALL HAGER ENGINEERING AT 1-800-325-9995 FOR THE LATEST REVISION DATE OF TEMPLATE.	MATERIAL	Material <not specified>	DRAWN	MRJ	11/22/2010	<b>3580</b> <b>GRADE 2 - STOREROOM KNOBSET</b>		
		FINISH	-	ENG. APPR.	-	-			
		DO NOT SCALE DRAWING			TOLERANCES: FRACTIONAL: ±0.015" ANGULAR: MACH: ±1° BEND: ±1° TWO PLACE DECIMAL: ±0.01" THREE PLACE DECIMAL: ±0.004"			SIZE	DWG. NO.
								<b>B</b>	<b>S-LS01054</b>
						SCALE:1:4	WEIGHT: 1.31	SHEET 1 OF 1	





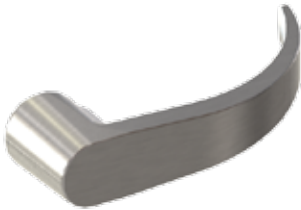
## HAGER LOCKSET KNOB AND LEVER OPTIONS



### APOLLO KNOB

Available on:

- 3400 Series
- 3500 Series



### ARCHER LEVER

Available on:

- 3400 Series
- 3400 Series (Electrified)
- 3500 Series
- 3600 Series
- 3700 Series
- 3800 Series - Escutcheon
- 3800 Series - Sectional
- 3800 Series - Escutcheon (Electrified)
- 3800 Series - Sectional (Electrified)
- 2500 Series



### AUGUST LEVER

Available on:

- 3400 Series
- 3400 Series (Electrified)
- 3500 Series
- 3600 Series
- 3700 Series
- 3800 Series - Escutcheon
- 3800 Series - Sectional
- 3800 Series - Escutcheon (Electrified)
- 3800 Series - Sectional (Electrified)



### WILLIAM LEVER

Available on:

- 3800 Series - Escutcheon
- 3800 Series - Sectional
- 3800 Series - Escutcheon (Electrified)
- 3800 Series - Sectional (Electrified)



### WITHNELL LEVER

Available on:

- 3400 Series
- 3400 Series (Electrified)
- 3500 Series
- 3600 Series
- 3700 Series
- 3800 Series - Escutcheon
- 3800 Series - Sectional
- 3800 Series - Escutcheon (Electrified)
- 3800 Series - Sectional (Electrified)
- 2500 Series





Hager Companies, Inc  
139 Victor Street  
Saint Louis, MO 63104

**HAGER TEST REPORT NO.: LS04001**

EVALUATION OF

**Hager Companies  
3500 Series Grade 2 Knob Lockset**

**TEST PARAMETERS:**

This report covers tests and/or evaluations performed using the following standard(s) as a guideline:  
*ANSI/BHMA A156.2-1996 American National Standard for Bored and Preamsembled Locks & Latches.*  
Testing was conducted by Intertek Testing Services NA, Inc., at their Middleton, WI facility.

**DESCRIPTION OF TEST SAMPLES:**

Samples were identified as Model 3500 Grade 2 Knob Cylindrical Lockset.  
Samples were received in good condition on 1/12/2004.

**TEST DATES:** 1/15/2004 – 2/06/2004

**RESULTS:** COMPLIANT

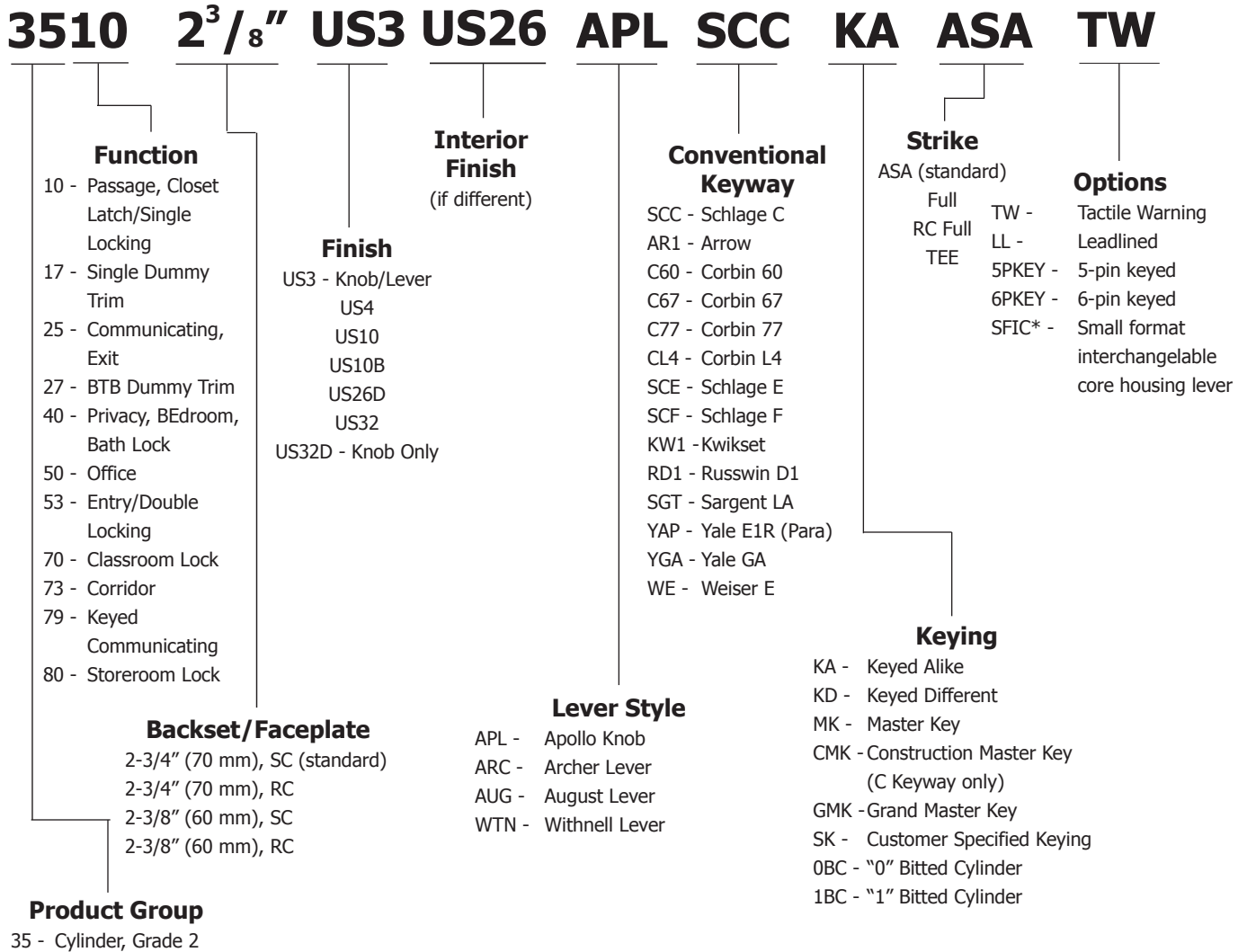
The testing results of specific subsections are summarized below.

<b>Subsection</b>	<b>Test Description</b>	<b>Test Results</b>
9.1	Operational Tests	Compliant
9.2	Strength Tests	Compliant
9.3	Qualification Requirements	Compliant
9.4	Cycle Tests	Compliant
9.5	Performance after Cycle Tests	Compliant
9.6	Material Evaluation Tests	Compliant

This report summary was prepared as an account of work performed by a Third-Party Nationally Recognized Testing Laboratory. The information included in this report is certified extracts from the original test records, as contained in the permanent records of Hager Companies, Inc. Copies of the original third-party test reports are available upon request.



**3500 SERIES LOCKS HOW TO ORDER**



Notes:

1. If master-keyed, include master key instruction sheet with order (available in catalog or online).

\* Small format interchangeable core sold separately. Available in Best Keyways only, A Standard.

Ordering example: 3553 2-3/4" SC US26D WTN NC ASA SFIC





The following products have been approved for statewide acceptance by the Florida Building Commission pursuant to Rule 9B-72.090, F.A.C., for approval of products and systems for use on Exterior Swinging Door Assemblies, in compliance with the structural requirements of the 2007 Florida Building Code. Verification of Florida Statewide acceptance can be found at [www.floridabuilding.org](http://www.floridabuilding.org) under the Product Approval section.

**Severe Windstorm Resistant Components for Swinging Door Assemblies**  
**ANSI A250.13 - 2003 Standard**

Certified Hardware	Assembly Configuration	Door Size	Door Stiffness Class	Design Load	Florida Certification Number (FL#)
3100 Series Grade 1 Deadbolt	Single - Out Swing	3-0 x 7-0	-	1150 lbf (100 psf)*	6118
	Single - Out Swing	4-0 x 8-0	-	1150 lbf (70 psf)*	
3200 Series Grade 2 Deadbolt	Single - Out Swing	3-0 x 7-0	-	1150 lbf (100 psf)*	6118
	Single - Out Swing	4-0 x 8-0	-	1150 lbf (70 psf)*	
3400 Series Grade 1 Lockset	Single - Out Swing	3-0 x 7-0	-	1150 lbf (100 psf)*	6118
	Single - Out Swing	4-0 x 8-0	-	1150 lbf (70 psf)*	
3500 Series Grade 2 Lockset	Single - Out Swing	3-0 x 7-0	-	860 lbf (80 psf)*	7683
	Single - Out Swing	4-0 x 8-0	-	860 lbf (50 psf)*	
3800 Series Grade 1 Mortise	Single - Out Swing	3-0 x 7-0	-	1150 lbf (100 psf)*	12932
	Single - Out Swing	4-0 x 8-0	-	1150 lbf (70 psf)*	
4500 Rim Exit Device	Single - Out Swing	4-0 x 8-0 max.	I	+/- 70 psf 350 ft-lbs Impact	9481
4500 SVR Exit Device	Out Swing	8-0 x 8-0 pair max.	I	+/- 50 psf 350 ft-lbs Impact	13178
4700 Rim Exit Device	Single - Out Swing	4-0 x 8-0 max.	I	+/- 40 psf 350 ft-lbs Impact	8293
780-112 Roton Hinge	Single Swing	4-0 x 8-0 max.	I	1150 lbf (72 psf)* 350 ft-lbs Impact	6118
BB1191 Hinge	Single - Out Swing	-	-	1780 lbf**	6118

\* Load in parenthesis indicates the equivalent load in pounds per square foot based on indicated door size and door stiffness (if applicable). This load is based on the hardware item taking half of the force applied to the door assembly by the wind load and the hinges taking the other half.

\*\* This load indicates the design load for a single butt hinge. Maximum wind load should be calculated based on door size, number of hinges used, and the other available door hardware on the door assembly.