

For use on doors 1-3/8" to 2" (35 mm - 51 mm) thick

TOOLS REQUIRED FOR NEW INSTALLATION:

- (1) Phillips Head Screwdriver
- (1) 2-1/8" (54 mm) Hole Saw
- (1) 1" (25.4 mm) Drill Bit
- (1) 5/16" (8 mm) Drill Bit
- (1) Chisel
- (1) Catch-Release Tool (Provided)

TOOLS REQUIRED FOR REPLACEMENT INSTALLATION:

- (1) Phillips Head Screwdriver

FOR REMODELING OR NEW CONSTRUCTION:

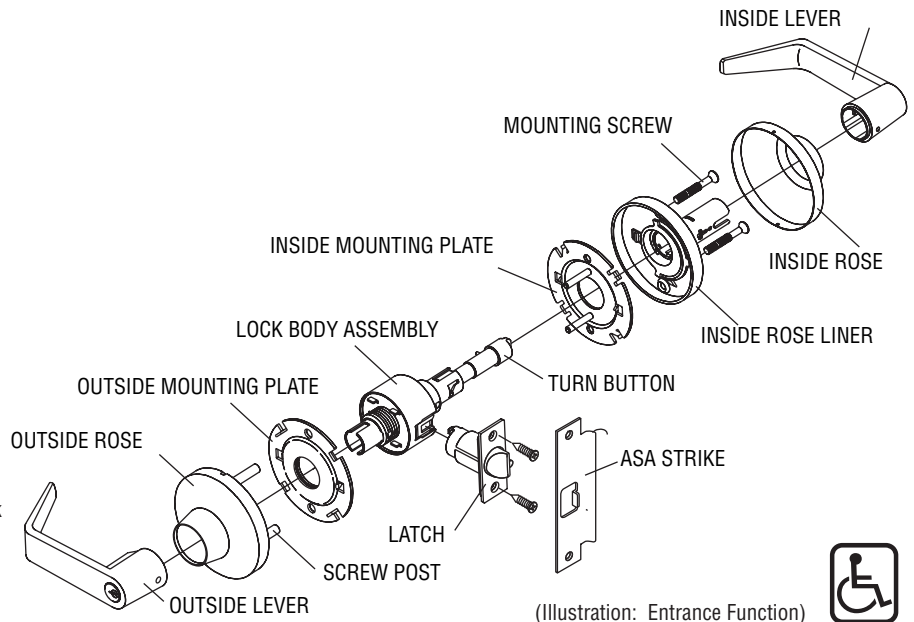
-Follow all steps

FOR REPLACEMENT OF EXISTING LOCK:

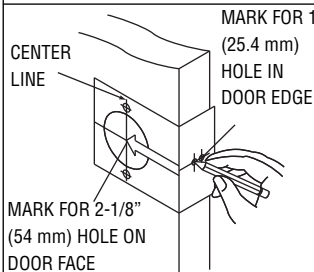
-Follow steps 3C, 4C, 5 through 9 after removal of old lock

FOR CYLINDER REPLACEMENT:

-Follow Step 10



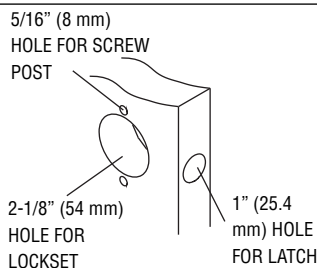
1. MARK DOOR



MARK FOR 1" (25.4 mm) HOLE IN DOOR EDGE

Measure center line of lock; height as desired from finished floor. Select 2-3/4" or optional 2-3/8" backset, fold and apply template to high side of door bevel and mark center of door edge as indicated on template. Mark center hole and screw-post holes on door face through guide on template.

2. DRILL HOLES



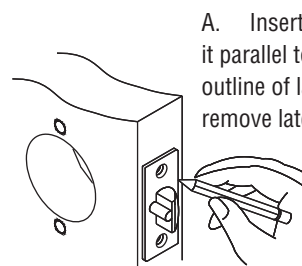
5/16" (8 mm) HOLE FOR SCREW POST

2-1/8" (54 mm) HOLE FOR LOCKSET

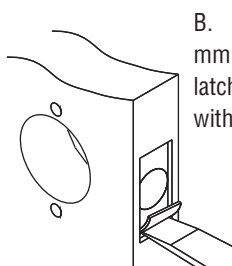
1" (25.4 mm) HOLE FOR LATCH

Drill 2-1/8" (54 mm) hole through door face as marked for lockset. (It is recommended that holes be drilled from both sides on wood doors to prevent splitting.) Drill 5/16" (8 mm) holes for screw-posts. Drill 1" (25.4 mm) hole in center of door edge for latch.

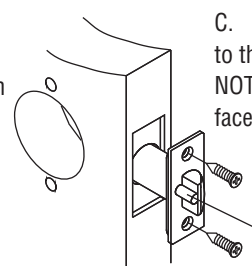
3. INSTALL LATCH



A. Insert latch in hole keeping it parallel to face of door. Mark outline of latch face plate and remove latch.



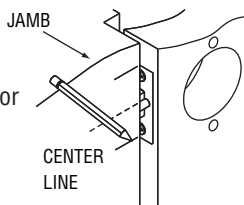
B. Chisel 5/32" (4 mm) deep or until latch face plate is flush with door edge.



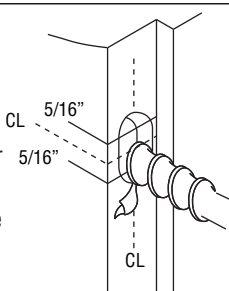
C. Insert latch and tighten to the door using #8 screws. NOTE: Latchbolt bevel must face to closing direction.

4. INSTALL STRIKE

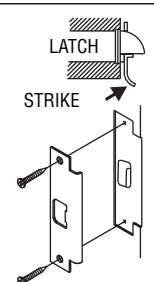
A. Close door until latchbolt touches jamb. Locate strike in jamb and center line of strike. Open door and extend line to door stop. Measure one half of door thickness plus 1/8" from door stop. Vertically mark center line for strike.



B. Drill two (2) 1" (25.4 mm) holes 3/4" (19 mm) deep in door jambs 5/16" (8 mm) above and 5/16" (8 mm) below horizontal center line. CAUTION: To ensure proper lockset function, hole in jamb must be drilled a full 3/4" (19 mm) deep.

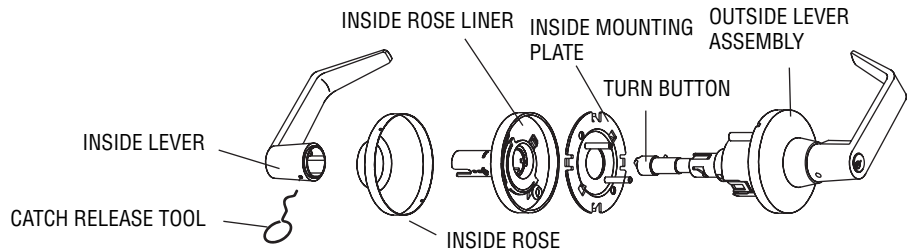


C. Cut out jamb mortise for strike 3/32" (2.4 mm) deep or until strike is flush with jamb. Tighten to the frame using #12 screws.



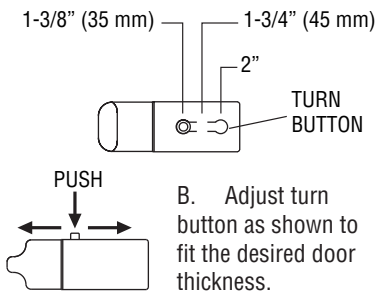
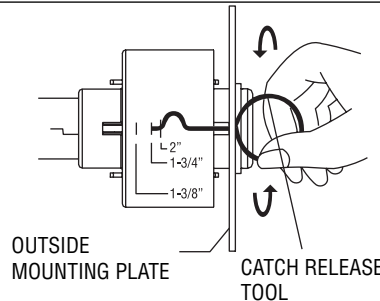
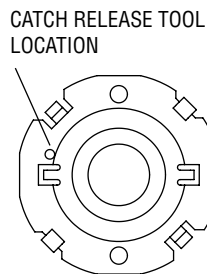
5. REMOVE INSIDE TRIM

Use catch release tool to depress lever catch in hole of inside lever shank and slide off inside lever, inside rose, inside rose liner, and mounting plate.

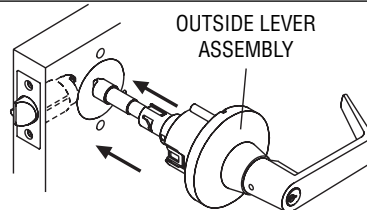
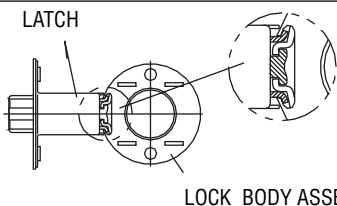


6. ADJUST DOOR THICKNESS

A. Outside mounting plate is pre-set for 1-3/4" door thickness. To fit different door thicknesses, remove outside lever assembly and then adjust mounting plate by rotating plate until tip of catch release tool lines up with desired door thickness indicated on lock body assembly.



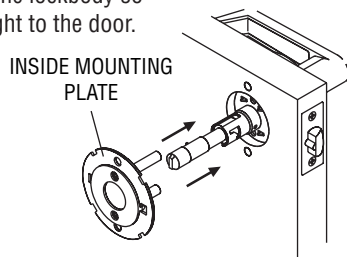
7. INSTALL OUTSIDE LEVER ASSEMBLY



Install outside lever assembly on the door. Make sure tail of latch engages with retractor correctly as illustrated.

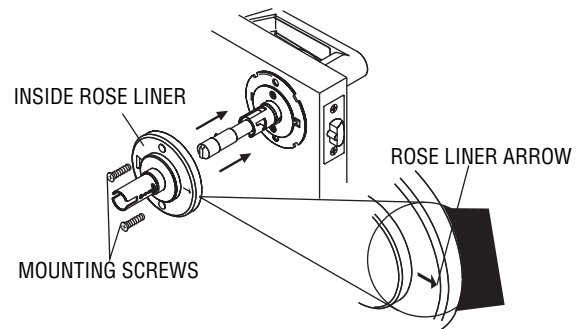
8. INSTALL INSIDE MOUNTING PLATE AND ROSE LINER

A. Install inside mounting plate through the lockbody so that it holds tight to the door.



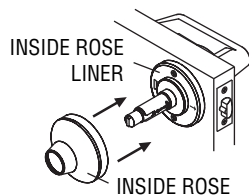
B. Install inside rose liner and align rose liner arrow in the direction of the lock stile.

C. Install mounting screws to tighten inside rose liner to the rest of the lockbody.

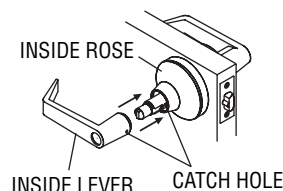


9. INSTALL INSIDE ROSE AND LEVER

A. Press inside rose onto rose liner until flush with door.

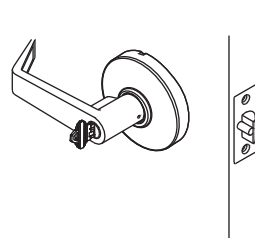


B. Use catch release tool to press down lever catch and push inside lever all the way in until it clicks into catch hole.



10. REPLACE CYLINDER (SKIP THIS STEP IF INSTALLING 3410 OR 3440)

A. Turn key clockwise 1/4 turn.



B. Using catch release tool, press the lever catch and pull the lever off.

