

3220/3222 Thumbturn Only Deadbolt w/Blank Mounting Plate

Installation Instructions

FOR USE ON DOORS 1-3/8" to 1-3/4" (35mm-45mm) THICK

TOOLS REQUIRED FOR NEW INSTALLATION:

- (1) Phillips Head Screwdriver
- (1) 2-1/8" (54mm) Hole Saw
- (1) 1" (25.4mm) Drill Bit
- (1) Chisel

TOOLS REQUIRED FOR REPLACEMENT INSTALLATION:

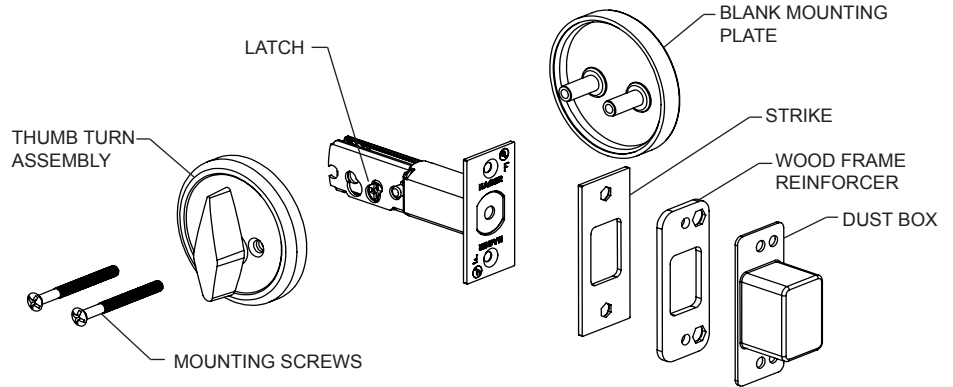
- (1) Phillips Head Screwdriver

FOR REMODELING OR NEW CONSTRUCTION:

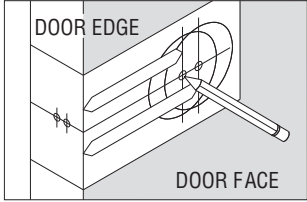
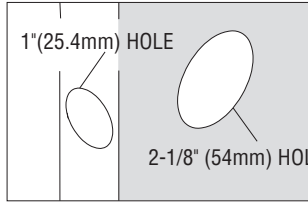
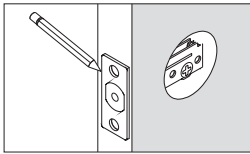
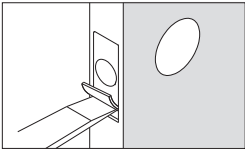
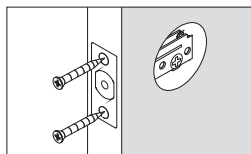
- Follow all steps

IF INSTALLING A 3222 RETRO FIT KIT:

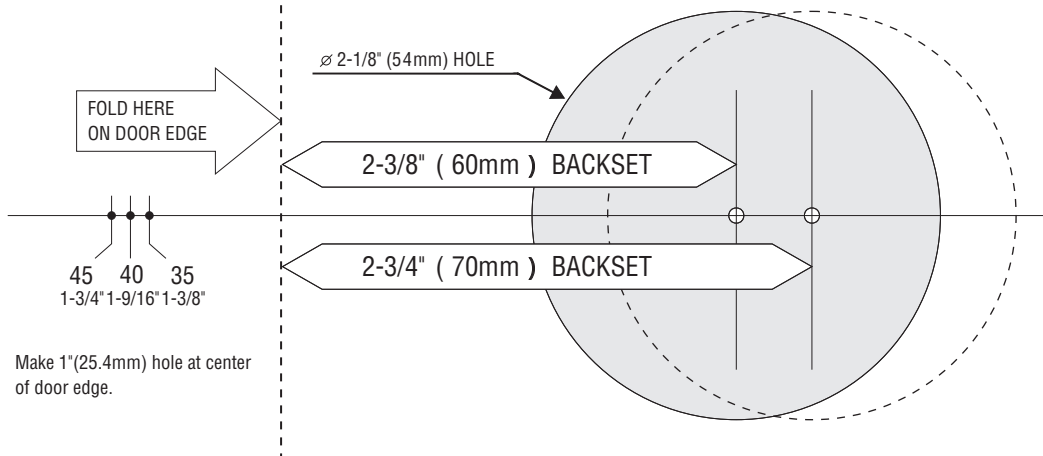
- Refer to Step 5 for installation



3220 SHOWN

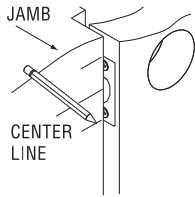
1. MARK DOOR	2. DRILL HOLES	
 <p>Measure center line of lock; height as desired from finished floor. Select 2-3/4" or optional 2-3/8" backset, fold and apply template to interior side of door and mark center of door as indicated on template. Mark center hole on door face through guide on template. (See Step 6 for changing latch backset)</p>	 <p>Drill 2-1/8" (54 mm) hole through door face as marked for deadbolt. (It is recommended that holes be drilled from both sides of the door to prevent splitting). Drill 1" (25.4 mm) hole in center of door edge for latch.</p>	
3. PREP DOOR		
<p>a.</p>  <p>Insert latch in hole, keeping latch face parallel to face of door edge. Mark outline and remove latch.</p>	<p>b.</p>  <p>Chisel 5/32" (4 mm) deep or until latch face is flush with door edge.</p>	<p>c.</p>  <p>Insert latch and tighten to the door using #8 screws.</p>

TEMPLATE



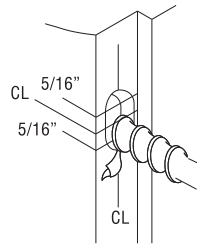
4. INSTALL STRIKE

a.



Close door. Locate strike in jamb and center line of strike. Open door and extend line to door stop. Measure half of door thickness plus 1/8" from door stop. Vertically mark centerline for strike.

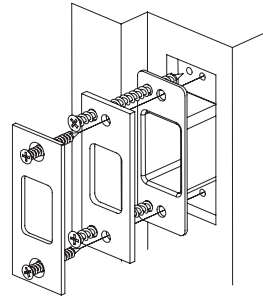
b.



Drill (2) 1" (25.4 mm) holes 1-1/4" (31.7 mm) deep in door jamb, 5/16" (8 mm) above and 5/16" (8 mm) below horizontal center line.

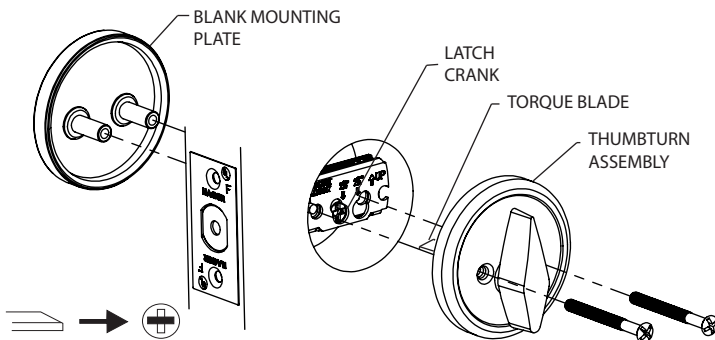
CAUTION:
Hole must be drilled a full 1-1/4" (31.7 mm) deep to ensure proper functioning.

c.



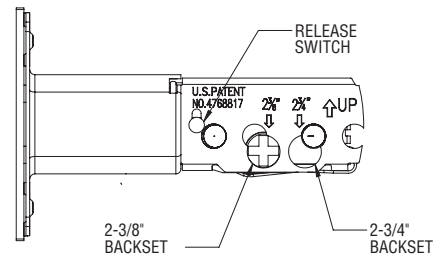
Match screw holes on strike with vertical centerlines on jamb. Mark outline of strike and chisel 1/4" (6.4mm) deep for flush fit of dust box, wood frame reinforcer, and strike. Place dust box and wood frame reinforcer into mortised area and tighten to the frame using 3" wood screws. Insert the strike and tighten to the frame with #8 screws.

5. INSTALL THUMBTURN ASSEMBLY AND BLANK PLATE



Insert torque blade horizontally into latch crank until thumb turn assembly is flush with door face. Place the blank mounting plate on the outside of the door and line up the threaded posts with the holes of the thumbturn assembly. Insert the screws thru the holes of the thumbturn assembly and latch body. Tighten the screws to the threaded posts of the blank mounting plate. Tighten the assembly so the complete assembly is tight to the door.

6. BACKSET ADJUSTMENT



To set latch to 2-3/8" setting, pull up Release Switch on both sides. While holding Release Switch up, slide crosshairs to the 2-3/8" marked hole.