

FOR USE ON DOORS 1-3/8" to 1-3/4" (35mm-45mm) THICK

TOOLS REQUIRED FOR NEW INSTALLATION:

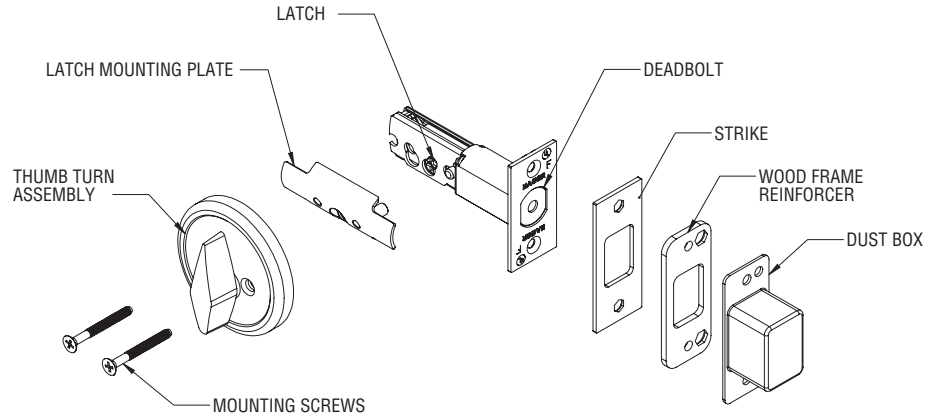
- (1) Phillips Head Screwdriver
- (1) 2-1/8" (54mm) Hole Saw
- (1) 1" (25.4mm) Drill Bit
- (1) Chisel

TOOLS REQUIRED FOR REPLACEMENT INSTALLATION:

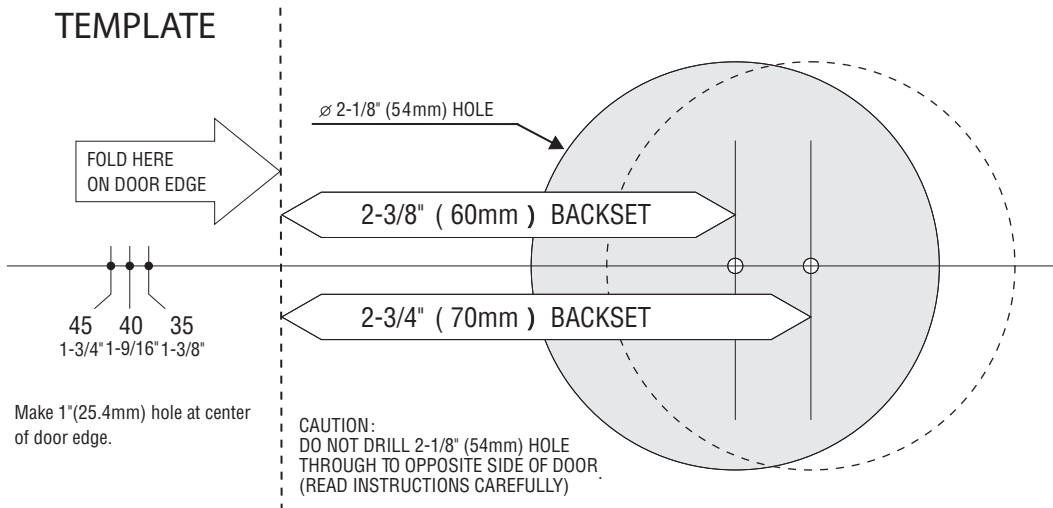
- (1) Phillips Head Screwdriver

FOR REMODELING OR NEW CONSTRUCTION:

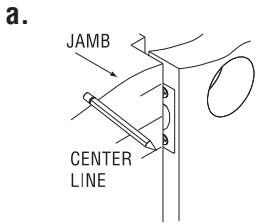
- Follow all steps



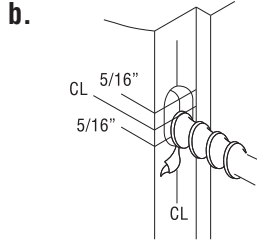
<h3>1. MARK DOOR</h3> <p>Measure center line of lock; height as desired from finished floor. Select 2-3/4" or optional 2-3/8" backset, fold and apply template to interior side of door and mark center of door as indicated on template. Mark center hole on door face through guide on template. (See Step 7 for changing latch backset)</p>	<h3>2. DRILL HOLES</h3> <p>Drill 1" (25.4 mm) hole 4-1/8" (105 mm) deep in center of door edge. Drill 2-1/8" (54mm) hole 1-3/16" (31 mm) deep on interior door face.</p> <p>CAUTION: Do not drill completely through the door face.</p>
<h3>3. PREP DOOR</h3> <div style="display: flex; justify-content: space-between;"> <div data-bbox="89 1218 576 1501"> <p>a.</p> <p>Insert latch in hole, keeping latch face parallel to face of door edge. Mark outline and remove latch.</p> </div> <div data-bbox="576 1218 1063 1501"> <p>b.</p> <p>Chisel 5/32" (4 mm) deep or until latch face is flush with door edge.</p> </div> <div data-bbox="1063 1218 1526 1501"> <p>c. Refer to Step 5 & 6 when installing latch.</p> </div> </div>	



4. INSTALL STRIKE

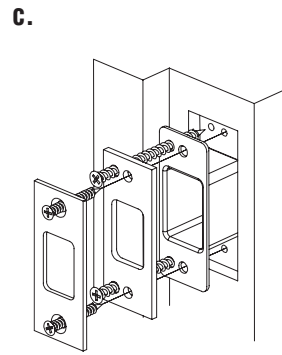


Close door. Locate strike in jamb and center line of strike. Open door and extend line to door stop. Measure half of door thickness plus 1/8" from door stop. Vertically mark centerline for strike.



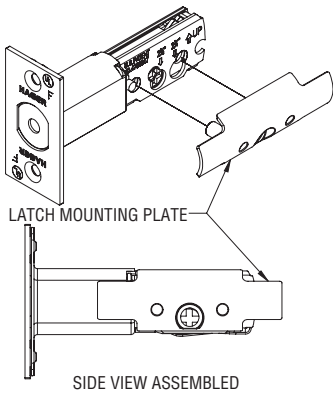
Drill (2) 1" (25.4 mm) holes 1-1/4" (31.7 mm) deep in door jamb, 5/16" (8 mm) above and 5/16" (8 mm) below horizontal center line.

CAUTION:
Hole must be drilled a full 1-1/4" (31.7 mm) deep to ensure proper functioning.



Match screw holes on strike with vertical centerlines on jamb. Mark outline of strike and chisel 1/4" (6.4mm) deep for flush fit of dust box, wood frame reinforcer, and strike. Place dust box and wood frame reinforcer into mortised area and tighten to the frame using 3" wood screws. Insert the strike and tighten to the frame with #8 screws.

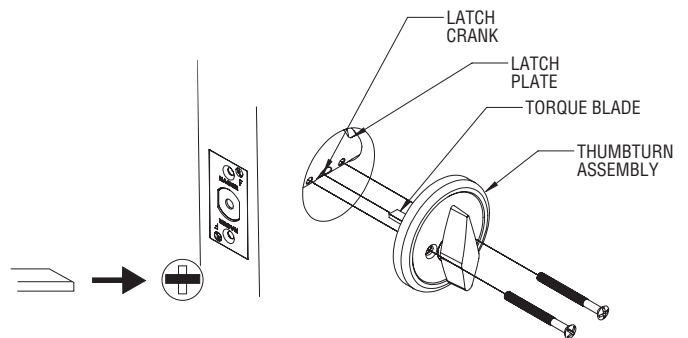
5. INSTALL LATCH MOUNTING PLATE



Adjust the latch to the proper backset, see below for details on adjusting the latch.

Insert the latch mounting plate into the holes on the latch.

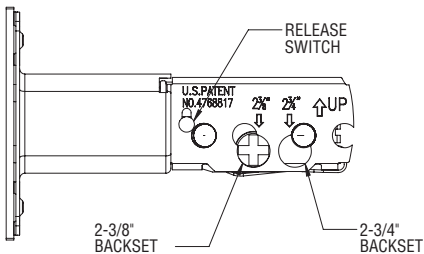
6. INSTALL LATCH THUMBTURN ASSEMBLY



Insert latch into 1" diameter hole and tighten to the door edge using #8 screws. Insert torque blade horizontally into latch crank until thumb turn assembly is flush with door face. Tighten assembly using screws.

Note: When installing on a metal door, the latch mounting plate may be pulled up against the inside door face as the mounting screws are tightened. This is normal when installing on a metal door.

7. BACKSET ADJUSTMENT



To set latch to 2-3/8" setting, pull up Release Switch on both sides. While holding Release Switch up, slide crosshairs to the 2-3/8" marked hole.