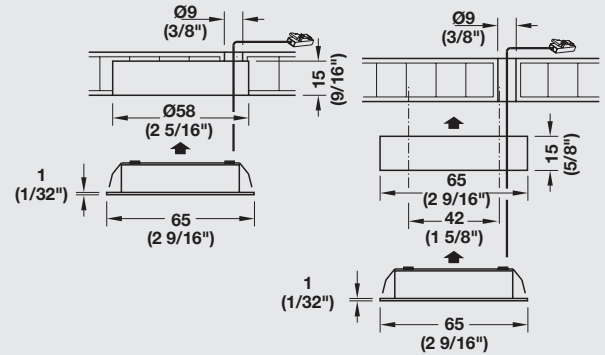
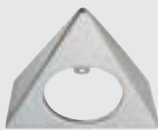


LED 4009



Surface Mount Ring;
Dim. (Ø x H): 65 x 16 mm (2 9/16" x 5/8")
> nickel-plated matt
Item No. 833.80.710 SRP \$4.00
> black
Item No. 833.80.712 SRP \$4.00



Triangular housing for surface mounting;
Dim. (L x W x H): 137 x 116 x 38 mm
(5 3/8" x 4 9/16" x 1 1/2")
> nickel-plated matt
Item No. 833.80.711 SRP \$4.00
> black
Item No. 833.80.713 SRP \$4.00



- > Dimmable
- > Drill hole: Ø58 mm (2 5/16")
- > Metal housing



> Driver see page 79

