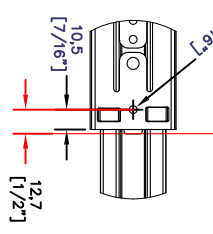
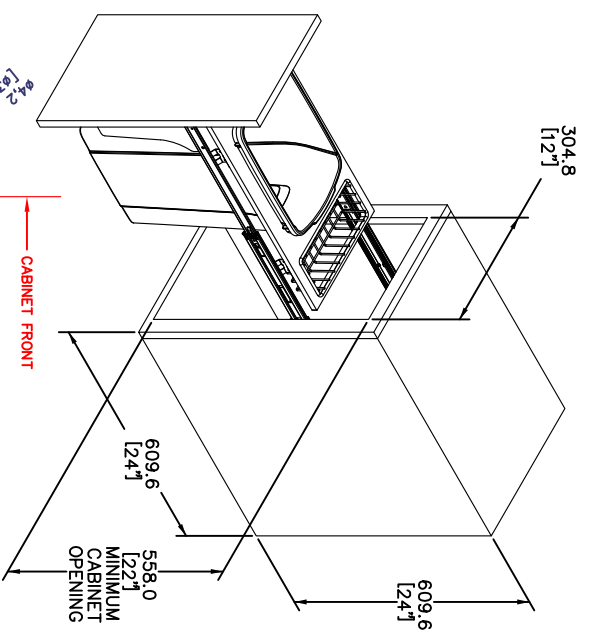
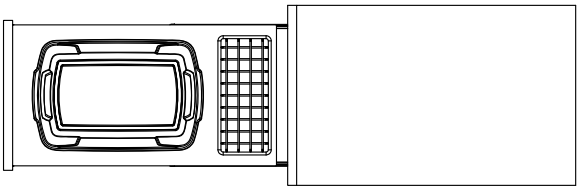
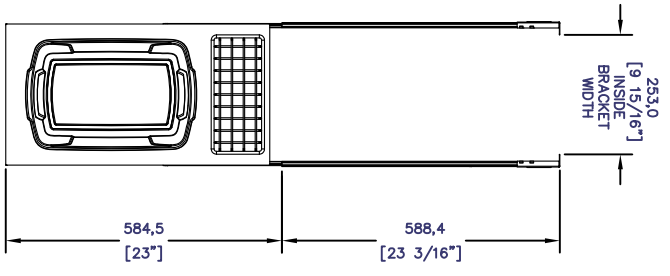
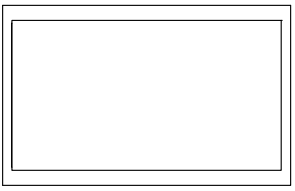
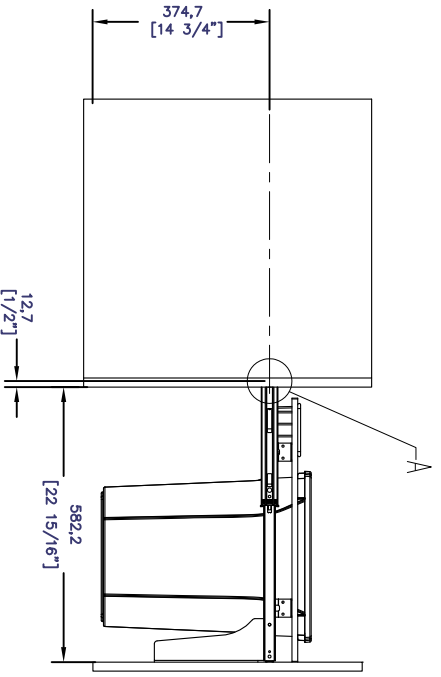


Item #	FINISH
503.12.733	White



DETAIL A  
SCALE 1:4

TOLERANCE  
UNLESS OTHERWISE  
SPECIFIED  
3 PL. DEC ±.005  
2 PL. DEC ±.010  
ANGLES 32  
DO NOT  
SCALE DRAWING



Trash can single, side mount 35QT. 503.12.733

DATE	09.24.2010	SPECIFICATION	See notes
SCALE	1:16	MAT'L	Steel, Cans-Plastic
DRAWN BY	NPG	FINISH	
PUN APPROVAL	DT	SHEET SIZE	A

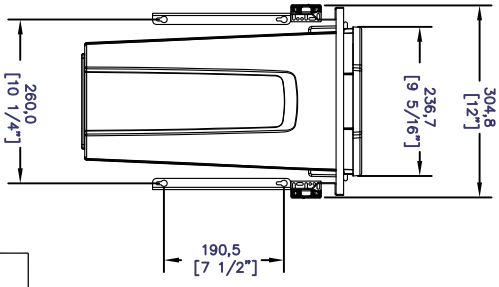
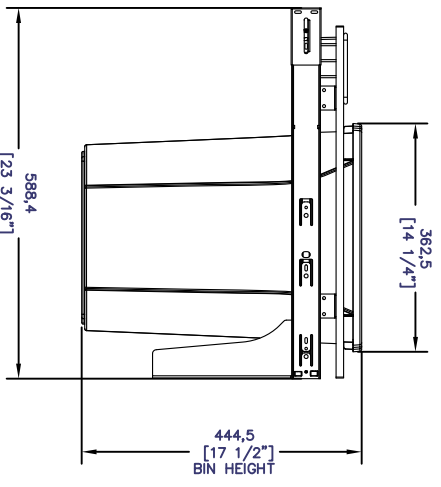
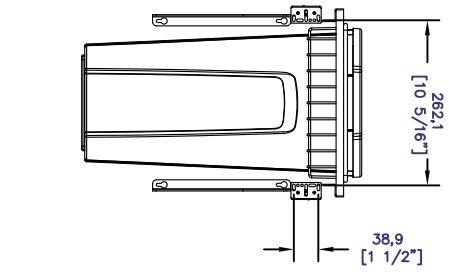
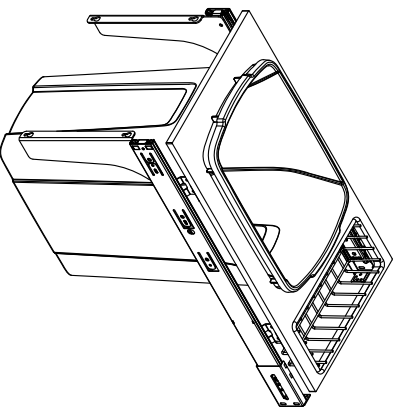
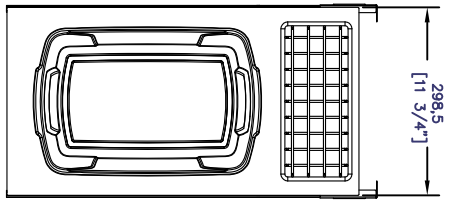
STATUS	00
SHEET 1 OF 2	

**HARPEL**

NOTICE  
THIS DRAWING AND ALL INFORMATION THEREON IS THE PROPERTY OF HARPEL. THIS DRAWING AND INFORMATION THEREON IS CONFIDENTIAL. MUST NOT BE MADE PUBLIC, COPIED OR USED TO DISADVANTAGE OF SAID HARPEL AMERICA CO. IT IS SUBJECT TO RETURN ON DEMAND.  
2010 HARPEL AMERICA, CO.

Rev/No	Project # or change Request #	Date	Signature	Checked

Item #	FINISH
503.12.793	White



STATUS	00
--------	----

Trash can single, side mount 35QRT. 503.12.793

**HAVAPARLE**

NOTICE  
 THIS DRAWING AND ALL INFORMATION THEREON IS THE PROPERTY OF:  
 THIS DRAWING AND INFORMATION THEREON IS CONFIDENTIAL.  
 MUST NOT MADE PUBLIC. COPIED OR USED TO DISADVANTAGE  
 OF SAID HAVAPARLE AMERICA CO. IT IS SUBJECT TO RETURN ON  
 DEMAND.  
 2010 HAVAPARLE AMERICA, CO.

RevNo	Project # or change Request #	Date	Signature	Checked

DATE:	09.24.2010	SPECIFICATION	See notes
SCALE:	1:12	MAT'L:	Steel, Cans-Plastic
DRAWN BY:	NPG	FINISH:	
PUN APPROVAL	DT	SHEET SIZE A	SHEET 2 OF 2