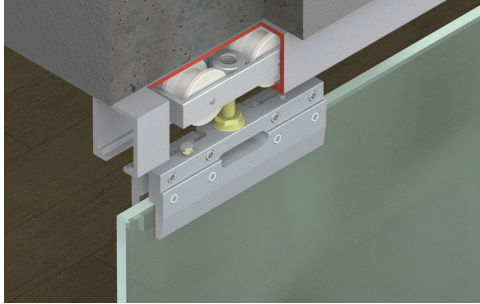


### Top Hung System

#### HAWA-Junior 40/GS

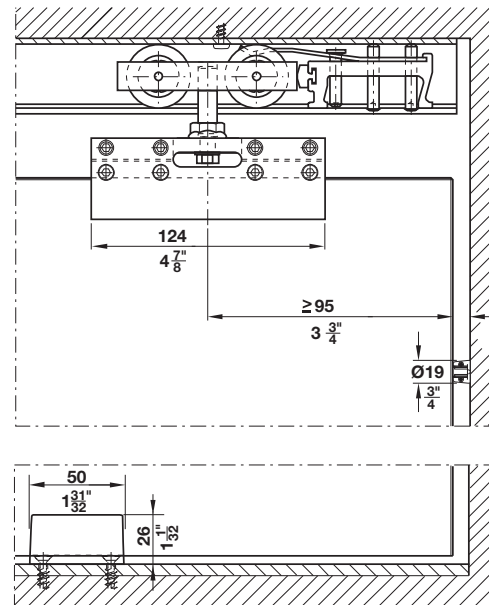
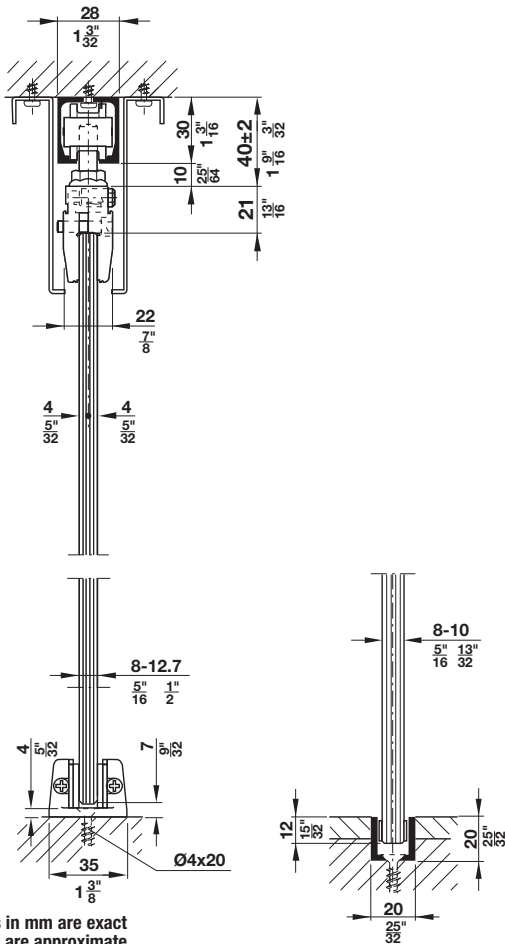
- For 1 and 2 sliding glass doors
- Smooth, quiet operation
- Maintenance-free
- Rattle-free bottom guide
- Simple installation

- No glass cut-outs required
- Vertical adjustment without removing the glass door
- Maximum door weight: **40 kg** (88 lbs.)
- For glass thickness: **6 - 12.7 mm** (1/4" - 1/2")



#### Installation Tips

When using 2 sliding doors on the same track, please make sure that glass panels do not collide. Please use a lower guide channel with a door stopper or use protective edge trim.



Dimensions in mm are exact  
Inches are approximate