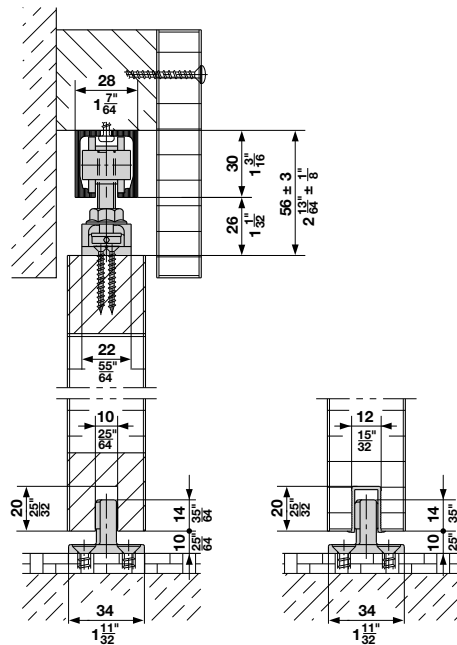
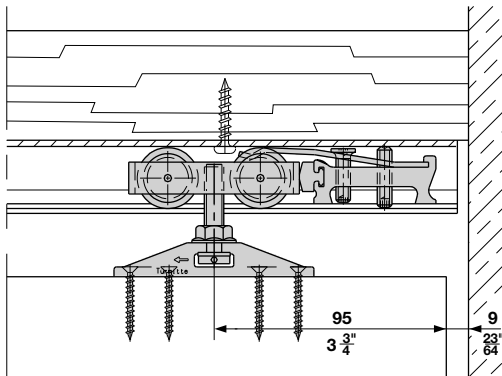
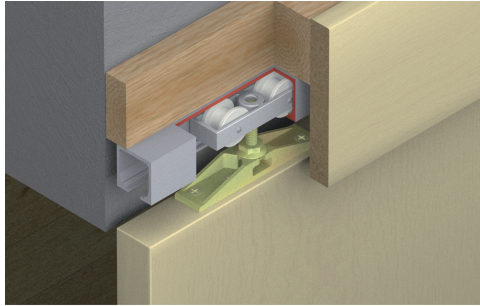


Top Hung System

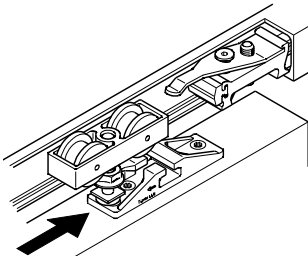
HAWA-Junior 40/Z

- For 1 and 2 sliding wood doors
- Smooth quiet operation
- Outstanding durability
- Rattle-free bottom guide
- Simple installation

- Special two-way suspension
- Vertically and laterally adjustable
- Door stop with adjustable retention spring
- Maximum door weight: **40 kg** (88 lbs.)
- Minimum door thickness: **22 mm** (7/8")

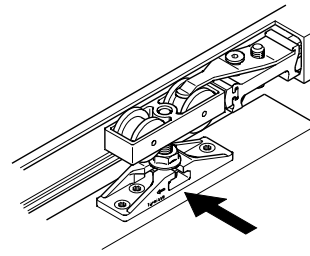


The two-way suspension bracket allows the door leaf to be hung and to be taken off in two different ways:



1. From the side

Fixed pocket cover doesn't have to be removed
Cover plate above opening has to be removable



2. From the front

Dimensions in mm are exact
Inches are approximate