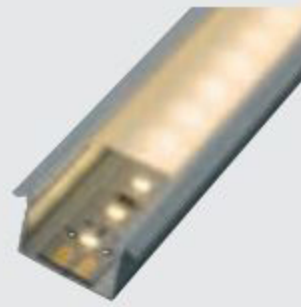


## Profile cover finishes – different light effects



Milk



Frosted

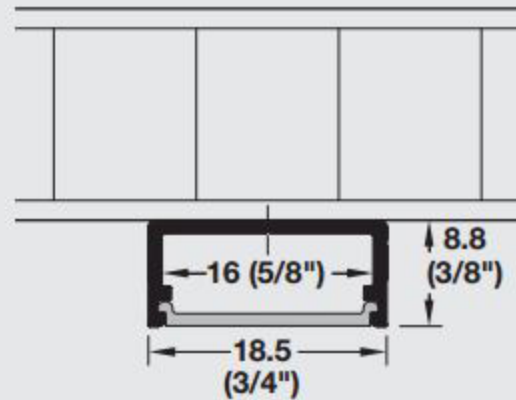
### Milk cover:

The material is dyed. It creates a “diffused glow” surface-directed light with uniform intensity. The light appears “soft”.

### Frosted cover:

The surface is frosted. The light appears “velvet-white” and creates a sophisticated, high-quality impression.

## Profile for surface mounting



Item No.	833.72.860	833.72.863
Material/Finish	Aluminum, silver colored anodized	
Cover	Milk	Frosted
L x W x H	2500 x 18.5 x 8.5 (98 3/8" x 3/4" x 3/8")	
Application	For surface mounting	



- > Note the dimensions of the clip connector
- > LED 3015 is not rated for continuous duty (≥8 hours/day)

### > **Note**

Not suitable for operation with LED 3028.



- > End cap, Plastic, silver colored, 2 pcs.  
**Item No. 833.72.852**



- > Mounting bracket, Stainless Steel, silver colored, 2 pcs.  
**Item No. 833.74.832**



- > Mounting bracket 40°, Stainless Steel, silver colored, 2 pcs.  
**Item No. 833.74.833**