

**CAPPED POLE CUP
300.3037.[FIN]**

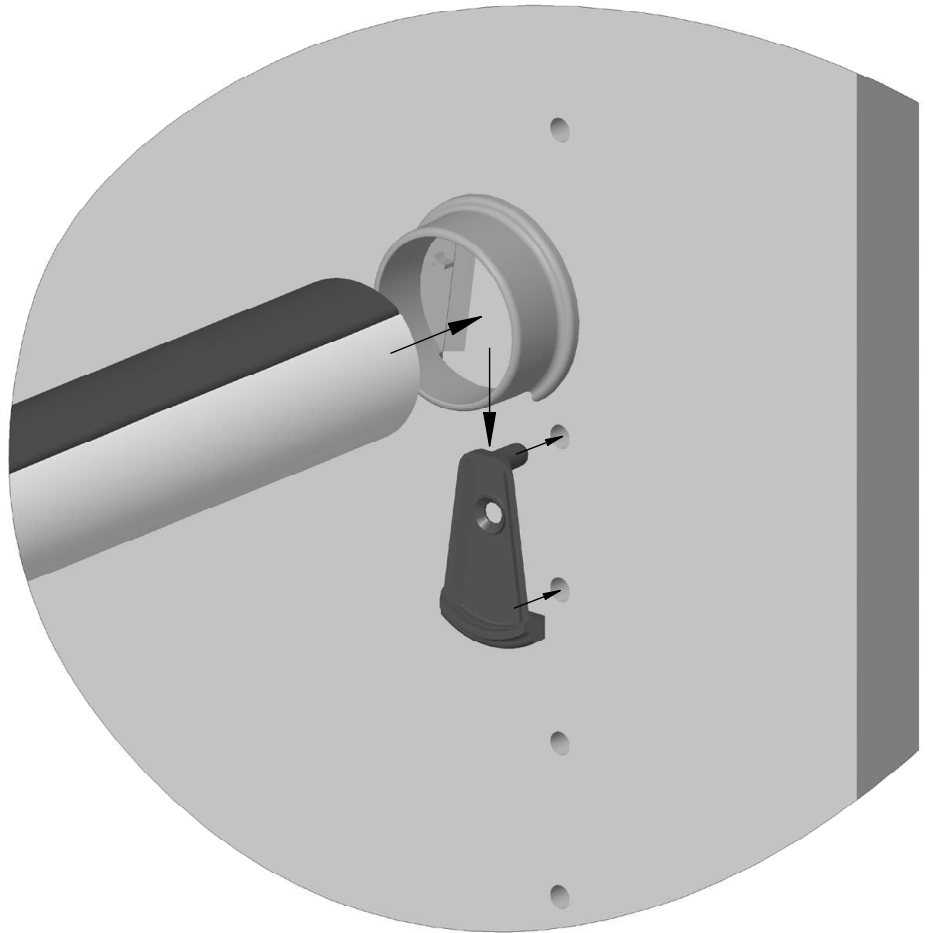
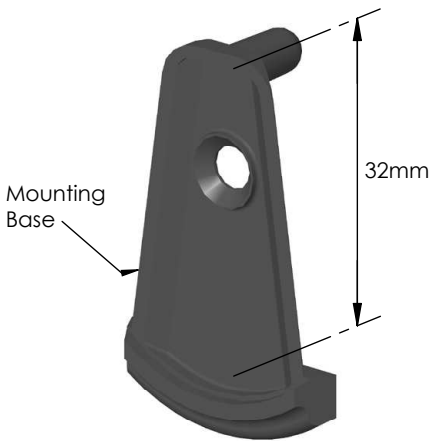
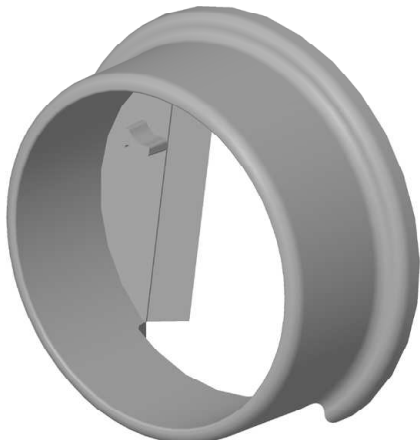
DESCRIPTION & SPECIFICATIONS

These pole cups feature a patented design that completely covers the ends of the Capped Closet Pole, leaving no sharp ends or hardware exposed.

SIZE & CAPACITY | One Size

AVAILABLE FINISHES | 

Matte Aluminum, Polished Chrome, Matte Nickel, Oil Rubbed Bronze, Matte Brass, Polished Brass.



INSTRUCTIONS & SPECIFICATIONS

- STEP 1: Remove the mounting base from the pole cups.
 - STEP 2: Mount the bases into the system holes at the desired height.
 - STEP 3: Place the cups onto the end of the capped closet pole.
 - STEP 4: Drop the pole with cups down into the cup bases.
- Use 2 to mount Capped Closet Pole 300.3047.

FINISH	CODE (FIN)
MATTE ALUMINUM	MAL
POLISHED CHROME	CR
MATTE NICKLE	MNL
OIL RUBBED BRONZE	ORB
MATTE BRASS	MBS
POLISHED BRASS	BS