

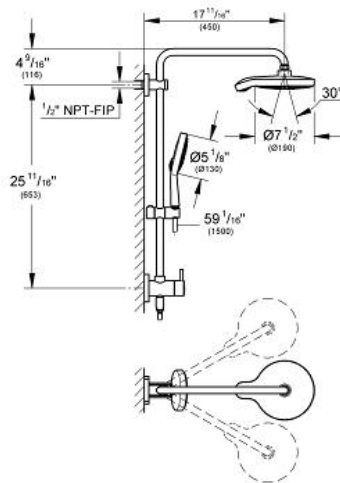
# RETRO-FIT 190 Shower System\*

MODEL # 26127

Pure Freude an Wasser

**GROHE**

GROHE America, Inc | 200 North Gary Avenue, Suite G, Roselle, IL 60172  
Phone: +1 (800) 444-7643 | Fax: +1 (800) 225-2778 | us-customerservice@grohe.com



## Product Description: Shower System\*

### Standard Specification:

Consisting of:

- 17 3/4" horizontal swivel shower arm
- Built-in diverter allows change between:
  - GROHE Rain O<sup>2</sup>, Rain, Bokoma Spray<sup>®</sup>, Jet
- With ball joint
- Rotation angle  $\pm 15^\circ$
- Hand shower 4+ sprays (27 664)
  - GROHE Rain O<sup>2</sup>, Rain, Bokoma Spray<sup>®</sup>, Jet
- Adjustable in height with gliding element
- Metal shower hose 59" (28 417)
- Angle adapter
- Max Flow Rate 2.5 gpm (9.5 L/min)
- **GROHE EcoJoy<sup>®</sup>** technology for less water and perfect flow
- **GROHE DreamSpray<sup>®</sup>** perfect spray pattern
- **GROHE StarLight<sup>®</sup>** finish
- **SpeedClean<sup>®</sup>** anti-lime system
- **Inner WaterGuide** for a longer life
- Rotation cone for Twist-free function
- **Suitable for instantaneous heaters from 18 kW/h**

### Applicable Codes & Standards:

- Energy Policy Act of 1992
- ASME A112.18.1/CSA B125.1

### Color:

- 26127 000 chrome