



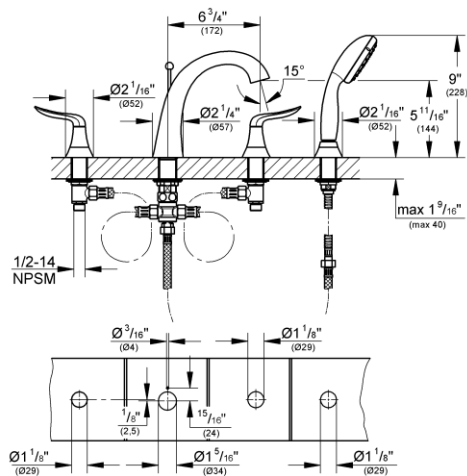
Pure Freude an Wasser

### Agira Roman Tub Filler with Hand Shower

Product # 25164



### Technical Drawing



### Product Description: Roman Tub Filler with Hand Shower

#### Standard Specification:

- GROHE StarLight®
- GROHE SilkMove®
- GROHE DreamSpray®
- $8\frac{1}{4}''$  Spout height
- $8\frac{7}{8}''$  Hand shower height when installed
- $6\frac{15}{16}''$  Spout reach
- $5\frac{3}{4}''$  Outlet height
- $\frac{1}{2}''$  Valves
- New Tempesta® 100 hand shower (26 047)

#### Code Compliance:

- ASME A112.18.1/CSA B125.1
- EPA WaterSense®
- CalGreen

#### Color Finishes:

- 25164 000 Starlight® Chrome
- 25164 EN0 Brushed Nickel InfinityFinish™
- 25164 ZB0 Oil-Rubbed Bronze

GROHE America, Inc | 200 North Gary Avenue, Suite G, Roselle, IL 60172 | +1 (800) 444-7643

Fax: +1 (800) 225-2778 | US-Customerservice@Grohe.com