

27 705 Shower Head



Features

6" Chrome Face
Grohe DreamSpray® Technology
For overhead shower applications only
Speedclean® Anti-Lime System

Spray: Rain

Flow Rate

2.5 gpm at 80 psi (9.5 L/min)

Code Compliance

ASME/ANSI A112.18.1M
CSA Standard B125.1-05

Available Finishes

000 Starlight® Chrome

27 891 Shower Set



Features

Euphoria Cube Hand Shower (27 888), 2.5 gpm
1 spray: Non-Adjustable Wide Spray
GROHE DreamSpray® Technology
Speedclean® Anti-Lime System
24" Shower Bar
69" Shower Hose (28 025)

Flow Rate

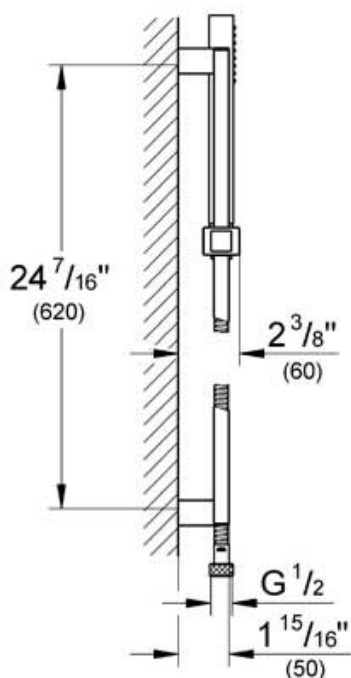
2.5 gpm at 80 psi (9.5 L/min)

Code Compliance

ASME/ANSI A112.18.1M
CSA Standard B125.1-05

Available Finishes

000 Starlight® Chrome



27 710 11 1/4" Shower Arm with Square Flange

Features

Brass Construction
Can be used with any shower head EXCEPT
Rainshower Jumbo

Flow Rate

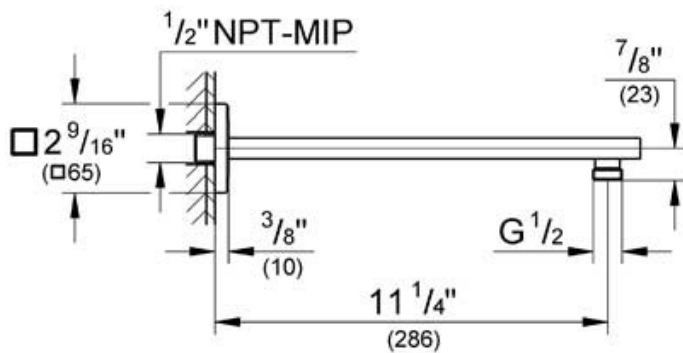
N/A

Code Compliance

ASME/ANSI A112.18.1M
CSA Standard B125.1-05

Available Finishes

000 Starlight® Chrome



27 708 Wall Union



Features

1/2" NPT Threads

Flow Rate

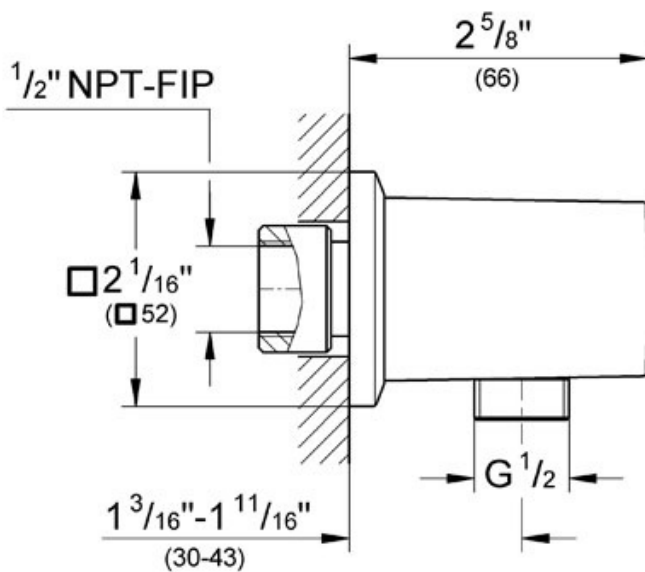
N/A

Code Compliance

ASME/ANSI A112.18.1M
CSA Standard B125.1-05

Available Finishes

000 Starlight® Chrome



19 925 Dual Function Pressure Balance Trim with Control Module



Features

For shower/tubs with non-diverter tub spout
or for 2 shower outlet applications
Integrated volume control
2-way diverter function
1 axis operation
5.6 gpm at 45 psi
For use with GrohFlex Universal Rough-In Box
35 026 000 sold separately.

Flow Rate

5.6 gpm

Available Finishes

000 Starlight® Chrome