

27 868 Diverter Shower System



Features

Wall mounted

Includes:

Horizontal 17 11/16" swivel shower arm

Built-in diverter allows change between shower head and hand shower

Adjustable bar height with gliding element

Metal shower hose 59" (28417)

Optional 6" height extension (27921000) sold separately

Flow Rate

Maximum 2.5 gpm at 80 psi (9.5 L/min)

Code Compliance

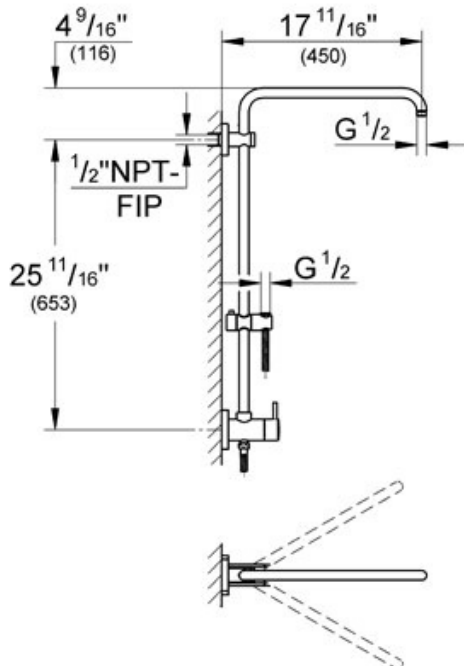
ASME/ANSI A112.18.1M

CSA Standard B125.1-05

ADA Compliant

Available Finishes

000 Starlight® Chrome



27 765 Cosmopolitan Shower Head



Features

7 1/2" Face
4 spray patterns
One-Click Showering (One Click - One Spray)
GROHE DreamSpray®Technology
Speedclean®Anti-Lime System

Spray Adjustable:
GROHE Rain O2/Rain/GROHE Bokoma Spray(TM)/Jet

Flow Rate

2.5 gpm

Available Finishes

000 Starlight® Chrome
EN0 Infinity Brushed Nickel

27 664 Cosmopolitan Hand Shower



Features

5" Face
4 spray patterns
One-Click Showering (One Click - One Spray)
GROHE DreamSpray®Technology
Speedclean®Anti-Lime System

Spray Adjustable:
GROHE Rain O2/Rain/GROHE Bokoma Spray(TM)/Jet

Flow Rate

2.5 gpm

Available Finishes

000 Starlight® Chrome
EN0 Infinity Brushed Nickel

19 724 Pressure Balance Valve trim



Description

Lever handle

For use with Grohsafe® Pressure Balance Rough-In Valve 35 015 (sold separately)

Flow Rate

NA

Code Compliance

ADA Compliant

Finish Options

- 19 724 OOO Starlight® Chrome
- 19 724 AVO Infinity Satin Nickel
- 19 724 BEO Sterling Infinity Finish
- 19 724 ENO Infinity Brushed Nickel

