

27 867 Diverter Shower System



Features

Wall mounted

Includes:

Horizontal 17 11/16" swivel shower arm

Built-in diverter allows change between shower head and hand shower

Euphoria Shower Head (28233) with rain spray with ball joint, (rotation angle +/- 20°)

Euphoria hand shower (27493) with normal spray

Adjustable bar height with gliding element

Metal shower hose 59" (28417)

GROHE DreamSpray® technology

GROHE CoolTouch® technology

SpeedClean® anti-lime system

Optional 6" height extension (27921000) sold separately

Flow Rate

Maximum 2.5 gpm at 80 psi (9.5 L/min)

Code Compliance

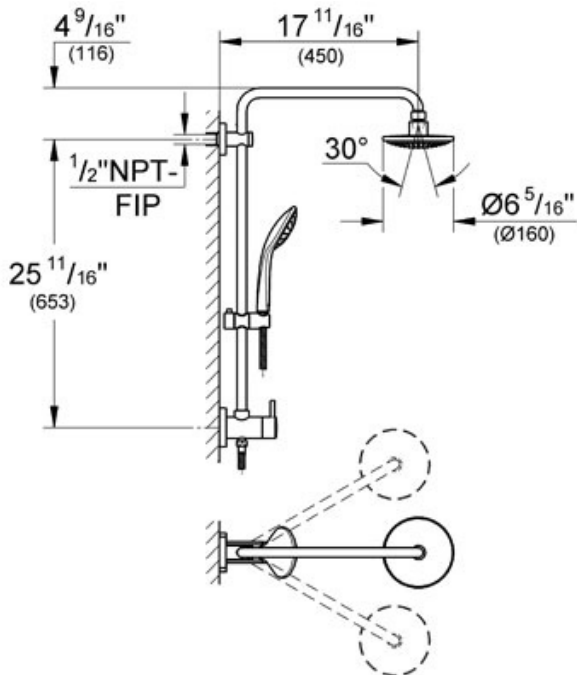
ASME/ANSI A112.18.1M

CSA Standard B125.1-05

ADA Compliant

Available Finishes

000 Starlight® Chrome



19 880 Cosmopolitan Single Function Pressure Balance Trim with Control Module



Description

For shower only or shower/tub with diverter applications
 Integrated bypass option when used with diverter tub spout
 1 axis operation

For use with GrohFlex Universal Rough-In Box 35 026 000 sold separately.

Flow Rate

6.6 GPM at 45 psi (25 l/min)

Code Compliance

ASME/ANSI A112.18.1M
 CSA Standard B125.1-05
 ADA Compliant

Available Finishes

000 Starlight® Chrome
 EN0 Infinity Brushed Nickel

