

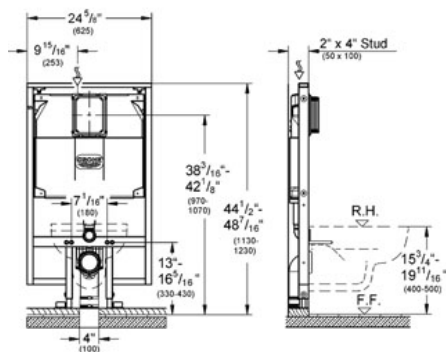
Rapid SL for Toilet

MODEL # 38996

Pure Freude an Wasser

GROHE

GROHE America, Inc | 200 North Gary Avenue, Suite G, Roselle, IL 60172
Phone: +1 (800) 444-7643 | Fax: +1 (800) 225-2778 | us-customerservice@grohe.com



Product Description:

Rapid SL for Toilet

Standard Specification:

- GROHE EcoJoy® technology for less water and perfect flow
- Flushing cistern 3 "
- With small maintenance access
- **44" installation height**
- Element width 24"
- For on-the-wall installations or studded walls
- Powder coated self-supporting steel frame
- For dry-cover (completely pre-assembled)
- With fixed connections
- For single installation
- Quick adjustment, lockable
- Mounting material
- WC mounting screws (2x)
- Mounting kit for ceramic
- Distance of mounting screws (7" - 9")
- Diameter Ø 3 " outlet elbow
- Depth adjustable
- Transition (Ø 3 ")
- Inlet and outlet connecting set
- Flushing cisten 3 ", 1.6-2.4 gal
- Adjustment from factory (1.6 gal and .8 gal)
- Pneumatic discharge valve offering: 3 modes of operation: dual flush or start/stop or non-interruptible
- Water supply from top
- Low noise (group I acc. to/German Noise Specification)
- Insulated against condensation
- ½" angle valve
- With push fit flexible hose union
- No tools required for the installation of the inspection shaft incl. protection during construction phase (for vertical use)
- **Without mounting brackets**

Applicable Codes & Standards:

- Energy Policy Act of 1992
- ASME A112.18.1/CSA B125.1

Color:

□ 38996 000