

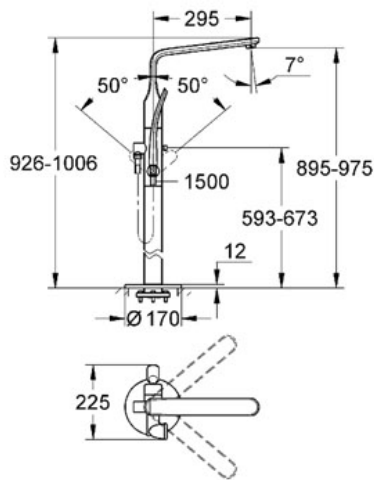
VERIS Single-lever Bath Mixer 1/2"

MODEL # 32222

Pure Freude an Wasser



GROHE America, Inc | 200 North Gary Avenue, Suite G, Roselle, IL 60172
Phone: +1 (800) 444-7643 | Fax: +1 (800) 225-2778 | us-customerservice@grohe.com



ADA

Product Description: Single-lever Bath Mixer 1/2"

Standard Specification:

- GROHE StarLight® finish
 - GROHE SilkMove® ceramic cartridge
 - Floor standing tub filler
- Set for final installation for
- Requires Rough-In Set 29 038 000 (sold separately)
 - Swivel tubular spout with flow control and stop limiter
 - Automatic diverter: bath/shower
 - Projection 11 5/8"
 - 1/2" Integrated non-return valve in the shower outlet
 - GROHE Ondus hand shower 27 184
 - 59" shower hose
 - **Protected against backflow**
 - Min. recommended pressure 15 psi
 - Requires 45 984 000 Rough-In
 - With shower holder
 - Requires Rough-In Set 29 038
 - Max Flow Rate 2.2 gpm at 60 psi (8.3 L/min),
2.5 gpm at 80 psi (9.5 L/min)

Applicable Codes & Standards:

- Energy Policy Act of 1992
- ASME A112.18.1/CSA B125.1
- ICC/ANSI A117.1

Color:

- 32222 001 chrome

