

# ESSENTIALS AUTHENTIC

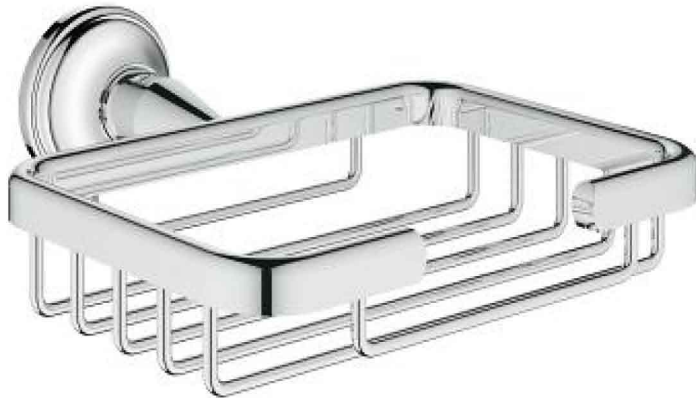
## 5 1/4" Basket

MODEL # 40659001

*Pure Freude an Wasser*



GROHE America, Inc | 200 North Gary Avenue, Suite G, Roselle, IL 60172  
Phone: +1 (800) 444-7643 | Fax: +1 (800) 225-2778 | us-customerservice@grohe.com



### Product Description:

5 1/4" Basket

### Standard Specification:

- Material: Metal
- Concealed fastening
- **GROHE StarLight** chrome finish

### Color:

□ 40659001 001 chrome

