

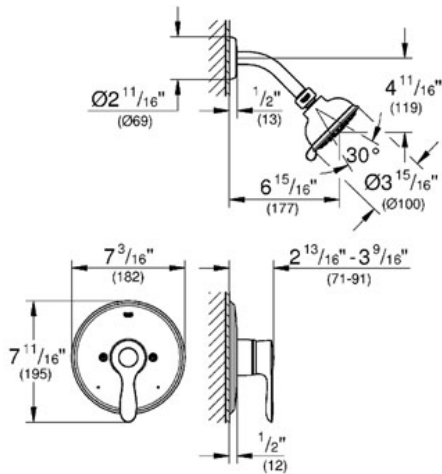
PARKFIELD Pressure Balance Valve Shower Combination

MODEL # 35039

GROHE America, Inc | 200 North Gary Avenue, Suite G, Roselle, IL 60172
Phone: +1 (800) 444-7643 | Fax: +1 (800) 225-2778 | us-customerservice@grohe.com

Pure Freude an Wasser

GROHE



ADA

Product Description:
Pressure Balance Valve Shower Combination

Standard Specification:

- GROHE StarLight® finish
- 19 921 trimset for 35 015
- 27 610 Tempesta Authentic head shower
- Shower arm (27 414)
- Max Flow Rate 2.5 gpm at 80 psi (9.5 L/min) for Head Shower

Applicable Codes & Standards:

- Energy Policy Act of 1992
- ASME A112.18.1/CSA B125.1
- ICC/ANSI A117.1

Color:

- 35039 EN0 Brushed Nickel
- 35039 000 chrome