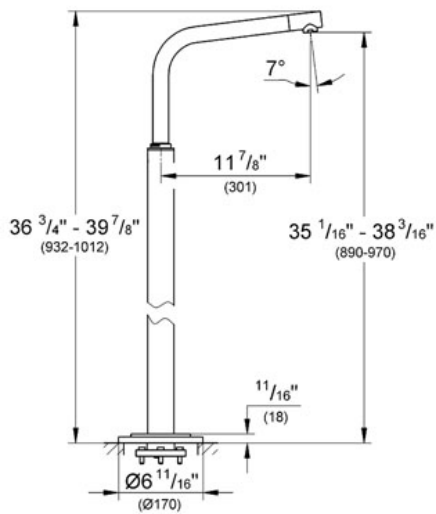
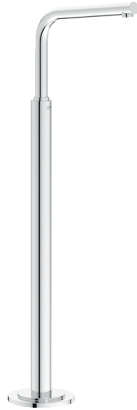


ATRIO
Tub Spout
MODEL # 13228

Pure Freude an Wasser



GROHE America, Inc | 200 North Gary Avenue, Suite G, Roselle, IL 60172
Phone: +1 (800) 444-7643 | Fax: +1 (800) 225-2778 | us-customerservice@grohe.com



Product Description:
Tub Spout

Standard Specification:

- GROHE StarLight® finish
 - Floor standing tub filler
- Set for final installation for
- Requires 45 984 000 Rough-In
 - Requires Rough-In Set 29 038 000 (sold separately)
 - Projection 11 13/16"
 - 7° - spout
 - Swiveling
 - Flow control
 - Total height 40 1/2"
 - Min. recommended pressure 15 psi
 - Max Flow Rate 7 gpm at 45 psi (26.5 L/min)

Applicable Codes & Standards:

- Energy Policy Act of 1992
- ASME A112.18.1/CSA B125.1

Color:

- 13228 001 chrome