

## 19 843 Authentic Single Function Pressure Balance Trim with Control Module



### Description

For shower only or shower/tub with diverter applications  
 Integrated bypass option when used with diverter tub spout  
 1 axis operation

For use with GrohFlex Universal Rough-In Box 35 026 000 sold separately.

### Flow Rate

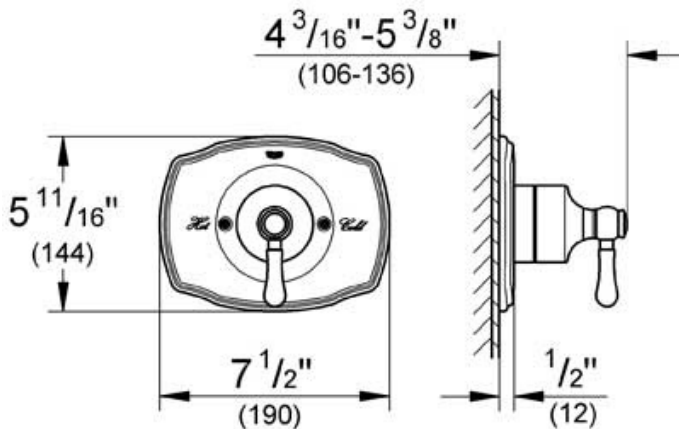
6.6 gpm at 45 psi (25 l/min)

### Code Compliance

ASME/ANSI A112.18.1M  
 CSA Standard B125.1-05  
 ADA Compliant

### Available Finishes

000 Starlight® Chrome  
 BE0 Polished Nickel Infinity Finish  
 EN0 Infinity Brushed Nickel  
 ZB0 Oil Rubbed Bronze



## 27 130 Shower Head



### Description

---

6 1/4" face  
4 spray patterns  
1/2" NPT Female Threads  
GROHE DreamSpray® Technology  
SpeedClean® Anti-Lime System

### Flow Rate

---

N/A

### Code Compliance

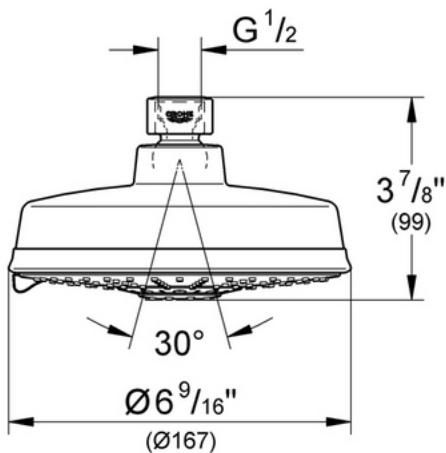
---

ASME/ANSI A112.18.1M

### Finish Options

---

27 130 OOO Starlight® Chrome  
27 130 BEO Sterling Infinity Finish  
27 130 ENO Infinity Brushed Nickel  
27 130 ZBO Oil Rubbed Bronze



# Seabury 27 011

## Shower arm & flange



### Description

Tubular brass  
1/2" male threads

### Flow Rate

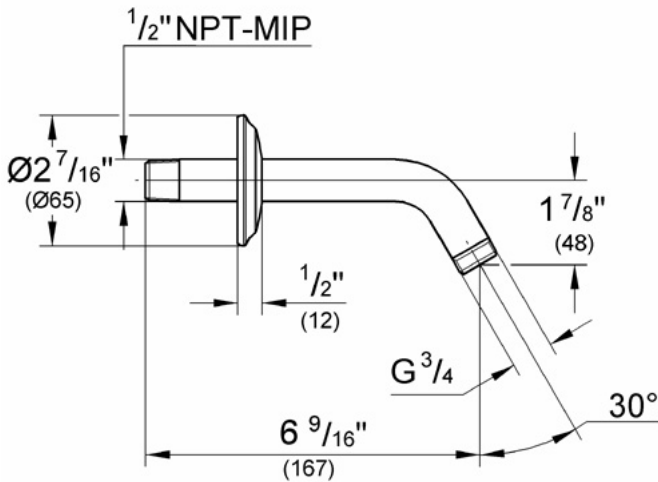
N/A

### Code Compliance

\* ASME/ANSI A112.18.M

### Finish Options

- 27 011 OOO Chrome
- 27 011 ROO Infinity Polished Brass
- 27 011 AVO Infinity Satin Nickel
- 27 011 RRO Velour Chrome
- 27 011 BEO Sterling Infinity Finish
- 27 011 ENO Infinity Brushed Nickel
- 27 011 ZBO Oil Rubbed Bronze



# Seabury 13 603

## Tub spout, diverter



### Description

Cast brass  
Wall mount 3/4" inlet

### Flow Rate

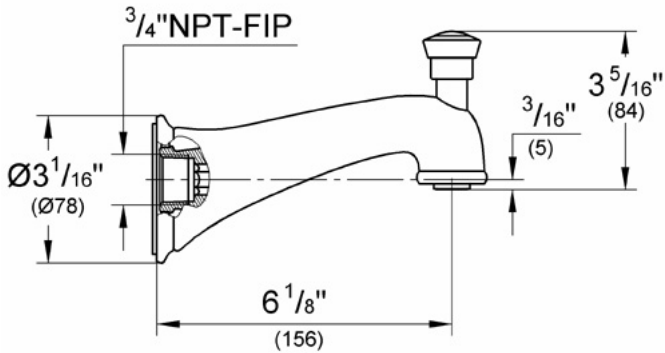
N/A

### Code Compliance

\* ASME/ANSI A112.18.M

### Finish Options

- 13 603 OOO Chrome
- 13 603 ROO Infinity Polished Brass
- 13 603 AVO Infinity Satin Nickel
- 13 603 RRO Velour Chrome
- 13 603 BEO Sterling Infinity Finish
- 13 603 ENO Infinity Brushed Nickel
- 13 603 ZBO Oil Rubbed Bronze



## 35 026 Universal Rough-In Box



### Description

- 1/2" inlets and outlets
- Fixing points for front and back wall
- Leakproof housing
- Integrated service stops
- Flushing plug
- Removable protection cover with installation information

For use with the GrohFlex Bathroom Solution Kits (sold separately): Single Function, Dual Function, or Custom Shower.

### Flow Rate

N/A

### Code Compliance

ASME/ANSI A112.18.1M  
CSA Standard B125.1-05

### Available Finishes

000 Rough-In

