

Seabury 27 011

Shower arm & flange



Description

Tubular brass
1/2" male threads

Flow Rate

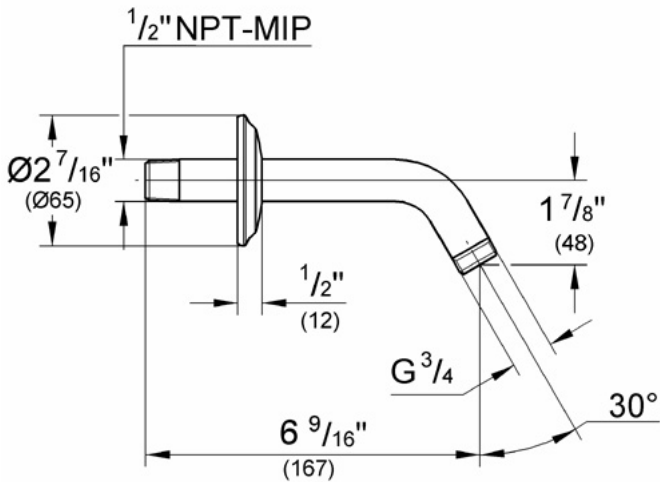
N/A

Code Compliance

* ASME/ANSI A112.18.M

Finish Options

- 27 011 OOO Chrome
- 27 011 ROO Infinity Polished Brass
- 27 011 AVO Infinity Satin Nickel
- 27 011 RRO Velour Chrome
- 27 011 BEO Sterling Infinity Finish
- 27 011 ENO Infinity Brushed Nickel
- 27 011 ZBO Oil Rubbed Bronze



27 130 Shower Head



Description

6 1/4" face
4 spray patterns
1/2" NPT Female Threads
GROHE DreamSpray® Technology
SpeedClean® Anti-Lime System

Flow Rate

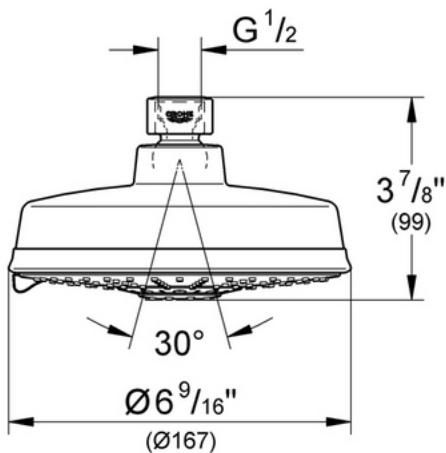
N/A

Code Compliance

ASME/ANSI A112.18.1M

Finish Options

27 130 OOO Starlight® Chrome
27 130 BEO Sterling Infinity Finish
27 130 ENO Infinity Brushed Nickel
27 130 ZBO Oil Rubbed Bronze



28 417 Twist-Free Hoses



Description

59" metal hand shower hose
Rotating hand shower connector eliminates hose twisting
Connector with silicone strip to hold hand shower firmly in place on shower bar

Flow Rate

NA

Code Compliance

ASME/ANSI A112.18.1M

Finish Options

28 417 OOO Starlight® Chrome
28 417 ROO Infinity Polished Brass
28 417 AVO Infinity Satin Nickel
28 417 RRO Velour Chrome
28 417 BEO Sterling Infinity Finish
28 417 ENO Infinity Brushed Nickel
28 417 ZBO Oil Rubbed Bronze

Accessories 28 484

Wall Union with Hand Shower Holder



Description

Inlet: 1/2" NPT female thread

Flow Rate

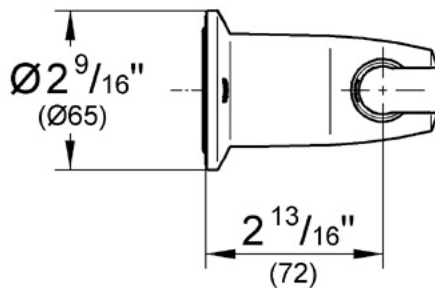
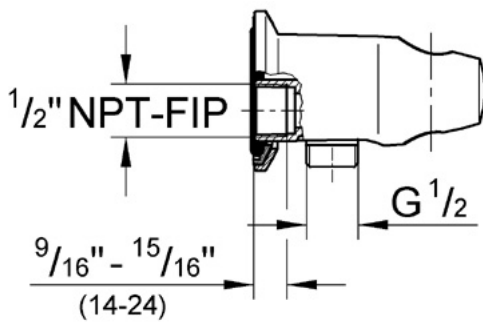
NA

Code Compliance

* ASME/ANSI A112.18.M

Finish Options

- 28 484 OOO Chrome
- 28 484 ROO Infinity Polished Brass
- 28 484 AVO Infinity Satin Nickel
- 28 484 RRO Velour Chrome
- 28 484 BEO Sterling Infinity Finish
- 28 484 ENO Infinity Brushed Nickel
- 28 484 ZBO Oil Rubbed Bronze



27 125 Hand Shower 5



Description

5 Spray Pattern
GROHE DreamSpray® Technology
SpeedClean® Anti-Lime System

Flow Rate

2.5 gpm @ 80psi

Code Compliance

ASME/ANSI A112.18.1M

Finish Options

27 125 OOO Starlight® Chrome
27 125 BEO Sterling Infinity Finish
27 125 ENO Infinity Brushed Nickel
27 125 ZBO Oil Rubbed Bronze

