

# Geneva 27 012

## Shower arm & flange



### Description

Tubular brass  
1/2" male threads

### Flow Rate

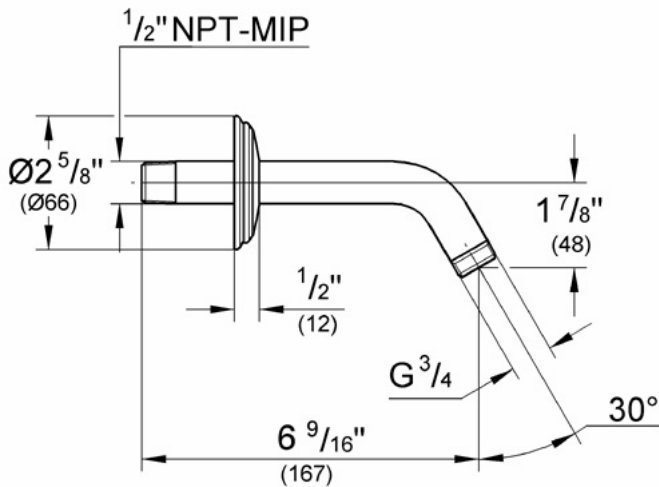
N/A

### Code Compliance

\* ASME/ANSI A112.18.M

### Finish Options

- 27 012 OOO Chrome
- 27 012 ROO Infinity Polished Brass
- 27 012 AVO Infinity Satin Nickel
- 27 012 RRO Velour Chrome
- 27 012 BEO Sterling Infinity Finish
- 27 012 ENO Infinity Brushed Nickel
- 27 012 ZBO Oil Rubbed Bronze



## 27 130 Shower Head



### Description

---

6 1/4" face  
4 spray patterns  
1/2" NPT Female Threads  
GROHE DreamSpray® Technology  
SpeedClean® Anti-Lime System

### Flow Rate

---

N/A

### Code Compliance

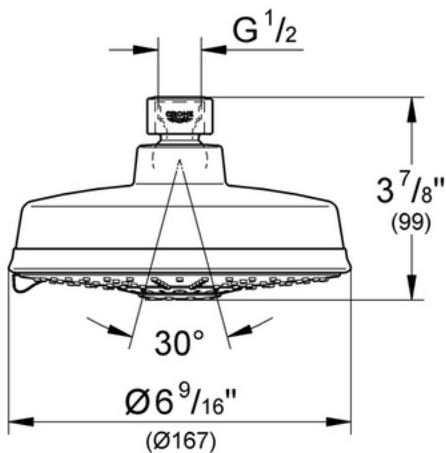
---

ASME/ANSI A112.18.1M

### Finish Options

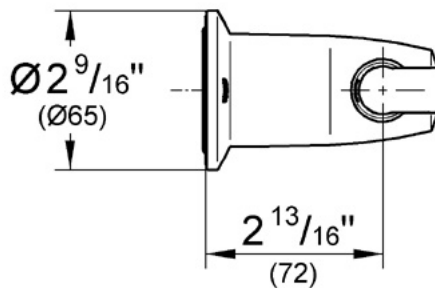
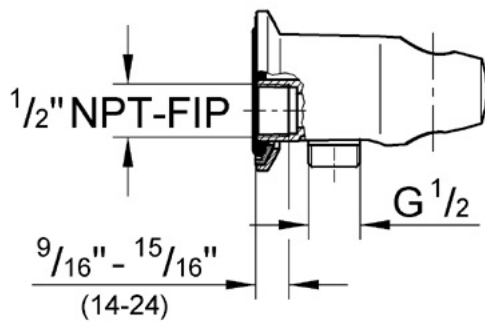
---

27 130 OOO Starlight® Chrome  
27 130 BEO Sterling Infinity Finish  
27 130 ENO Infinity Brushed Nickel  
27 130 ZBO Oil Rubbed Bronze



# Accessories 28 484

## Wall Union with Hand Shower Holder



### Description

Inlet: 1/2" NPT female thread

### Flow Rate

NA

### Code Compliance

\* ASME/ANSI A112.18.M

### Finish Options

- 28 484 OOO Chrome
- 28 484 ROO Infinity Polished Brass
- 28 484 AVO Infinity Satin Nickel
- 28 484 RRO Velour Chrome
- 28 484 BEO Sterling Infinity Finish
- 28 484 ENO Infinity Brushed Nickel
- 28 484 ZBO Oil Rubbed Bronze

## 28 417 Twist-Free Hoses



### **Description**

---

59" metal hand shower hose  
Rotating hand shower connector eliminates hose twisting  
Connector with silicone strip to hold hand shower firmly in place on shower bar

### **Flow Rate**

---

NA

### **Code Compliance**

---

ASME/ANSI A112.18.1M

### **Finish Options**

---

28 417 OOO Starlight® Chrome  
28 417 ROO Infinity Polished Brass  
28 417 AVO Infinity Satin Nickel  
28 417 RRO Velour Chrome  
28 417 BEO Sterling Infinity Finish  
28 417 ENO Infinity Brushed Nickel  
28 417 ZBO Oil Rubbed Bronze

## 27 125 Hand Shower 5



### Description

---

5 Spray Pattern  
GROHE DreamSpray® Technology  
SpeedClean® Anti-Lime System

### Flow Rate

---

2.5 gpm @ 80psi

### Code Compliance

---

ASME/ANSI A112.18.1M

### Finish Options

---

27 125 OOO Starlight® Chrome  
27 125 BEO Sterling Infinity Finish  
27 125 ENO Infinity Brushed Nickel  
27 125 ZBO Oil Rubbed Bronze

