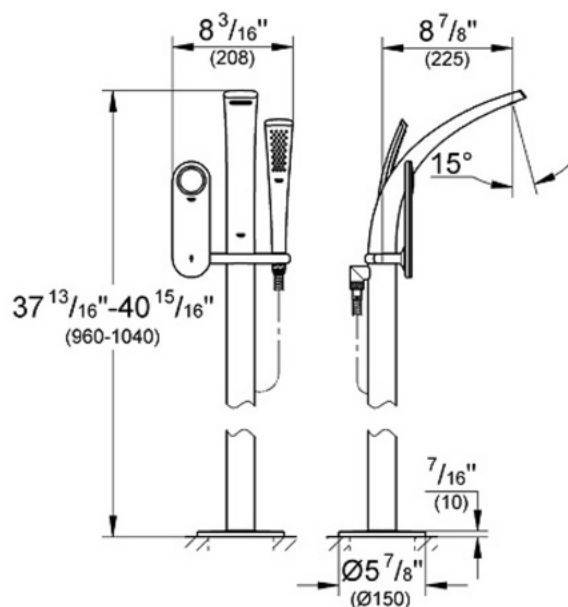


36 057 Digital Freestanding Roman Tub Filler



Description

-AVAILABLE ONLY THROUGH AUTHORIZED GROHE ONDUS SHOWROOMS-

Advance touch operating panel with backlit icons
Integrated shower head & hand shower design
Integrated digital display and user-friendly menu navigation

6 function options: digital temperature control \pm ;
digital water flow control \pm ; start & pause control;
clock setting; standby design set; and calibration set

2 programmable personalized pre-sets; His & Hers
Ribbon flow tub filler

Wide spray hand shower

Controller diverts between tub filler and hand shower

Includes GROHE Ondus hand shower 27 185

Automatic safety shut-off (programmable)

GROHE SafeStop at 100°F

Floor mounted installation

Battery status indicator on display

Extra low voltage supply 6 V DC incl. cable protection and cables

Total height from finished floor 41"

5 7/8" floor escutcheon

For use with concealed thermostat unit 36 072 and installation kit 36 073

Flow Rate

Maximum 5.3 gpm water flow rate (tub filler)
2.5 gpm (hand shower)

Code Compliance

ASME/ANSI A112.18.1M

ADA Compliant

Finish Options

36 057 OOO Starlight® Chrome

36 057 KS0 Velvet Black

36 057 LS0 Moon White

36 057 BS0 Titanium