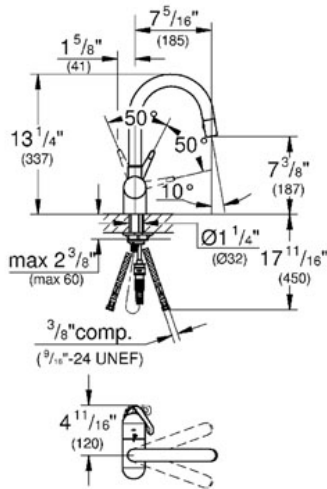


LADYLUX PRO
Single-lever sink mixer, 1/2"
MODEL # 32256

Pure Freude an Wasser



GROHE America, Inc | 200 North Gary Avenue, Suite G, Roselle, IL 60172
Phone: +1 (800) 444-7643 | Fax: +1 (800) 225-2778 | us-customerservice@grohe.com



Product Description:
Single-lever sink mixer, 1/2"

Standard Specification:

- GROHE SilkMove® ceramic cartridge
- GROHE RealSteel® Stainless Steel Construction produced from 304 stainless steel
- Single hole installation
- Swivel Spout
- **Dual Spray Pull-Out**
- Diverter: aerator/shower jet
- Returning help
- Integrated non-return valves
- Stainless Steel Braided Flexible Supplies
- Quick installation system
- Single Lever Handle
- Variable Handle Positioning
- Coordinated Ladylux Pro Design
- Spout Reach 7 5/16"
- Max Flow Rate 1.75 gpm (6.6 L/min)

Color:

- 32256 SD0 GROHE RealSteel®