

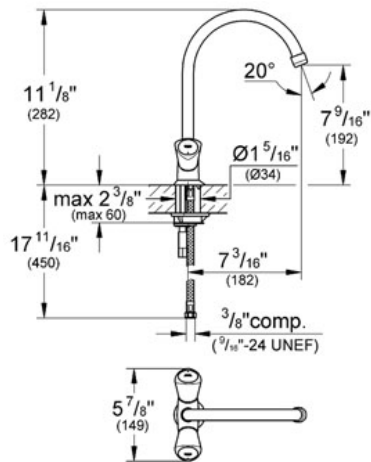
CLASSIC II Single-hole sink mixer 1/2"

MODEL # 31074

Pure Freude an Wasser



GROHE America, Inc | 200 North Gary Avenue, Suite G, Roselle, IL 60172
Phone: +1 (800) 444-7643 | Fax: +1 (800) 225-2778 | us-customerservice@grohe.com



Product Description:
Single-hole sink mixer 1/2"

- Standard Specification:**
- GROHE StarLight® finish
 - Grip metal handle
 - Heat-insulated
 - Threaded
 - Ceramic cartridge
 - Swivel Spout
 - Flow straightener
 - Stainless Steel Braided Flexible Supplies
 - Max Flow Rate 1.75 gpm (6.6 L/min)

- Applicable Codes & Standards:**
- Energy Policy Act of 1992
 - NSF 61
 - ASME A112.18.1/CSA B125.1
 - US Federal and State material regulations

- Color:**
- 31074 001 chrome
 - 31074 10E chrome

