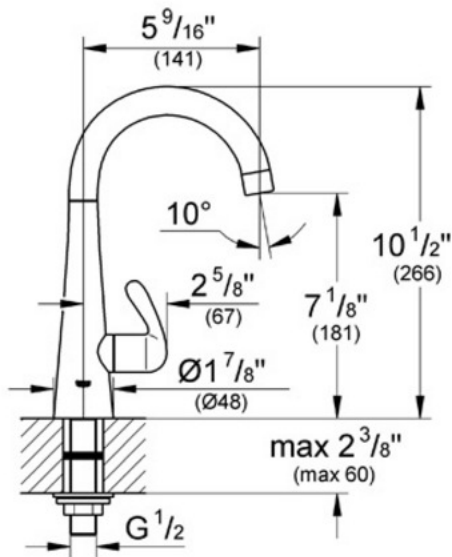


## 30 026 Basin/Pillar Tap



### Description

Grohe RealSteel® Stainless Steel Construction- produced from solid, Grade 304 stainless steel  
GROHE SilkMove® Ceramic Cartridge  
Single Inlet - Hot or Cold Water  
5 9/16" Swivel Spout

### Flow Rate

2.2 gpm at 45 psi, 2.5 gpm at 80 psi  
(9.5 lpm)

### Code Compliance

ASME/ANSI A112.18.1M  
ANSI/NSF Standard 61  
ADA Compliant

### Finish Options

30 026 OOO Starlight® Chrome  
30 026 SDO Stainless Steel  
30 026 DCO SuperSteel