

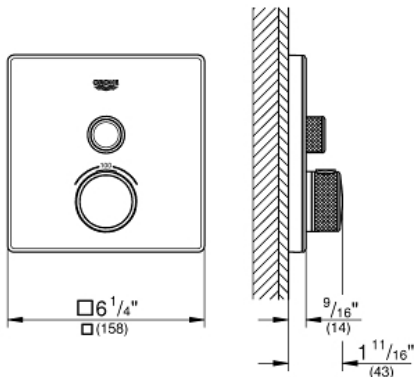
# GROHTHERM SMARTCONTROL Single Function Thermostatic Trim with Control Module

MODEL # 29163LS0

*Pure Freude an Wasser*

**GROHE**

GROHE America, Inc | 200 North Gary Avenue, Suite G, Roselle, IL 60172  
Phone: +1 (800) 444-7643 | Fax: +1 (800) 225-2778 | us-customerservice@grohe.com



## Product Description:

### Single Function Thermostatic Trim with Control Module

#### Standard Specification:

- Final installation set for:
- Required rough-in-set sold separately (GROHE Rapido SmartBox 35 601 000)
- Metal wall escutcheon with **GROHE QuickFix** (covered escutcheon and shaft sealing, covered fixing), 6° angle adjustable
- 3/8" (10mm) thin profile escutcheon
- **GROHE StarLight** finish
- SmartControl push for ON-OFF, turn for volume adjustment from EcoJoy to Full Flow
- Includes various icons to customize push buttons
- **GROHE TurboStat** Compact cartridge with wax thermoelement
- **GROHE SafeStop** safety button at 100°F/38°C
- Built-in check valve with dirt strainer
- Cover plate in moon white acrylic glass
- Maximum flow performance: 7.7gpm (29L/min) @ 43.5 psi (3 bar)
- Optional flow reducer for CALGreen compliance included

#### Applicable Codes & Standards:

- ASME A112.18.1/CSA B125.1
- CalGreen

#### Color:

- 29163LS0 Moon White

# RAPIDO SMARTBOX Universal Rough-In Box

MODEL # 35601000

Pure Freude an Wasser

**GROHE**

GROHE America, Inc | 200 North Gary Avenue, Suite G, Roselle, IL 60172  
Phone: +1 (800) 444-7643 | Fax: +1 (800) 225-2778 | us-customerservice@grohe.com



## Product Description: Universal Rough-In Box

### Standard Specification:

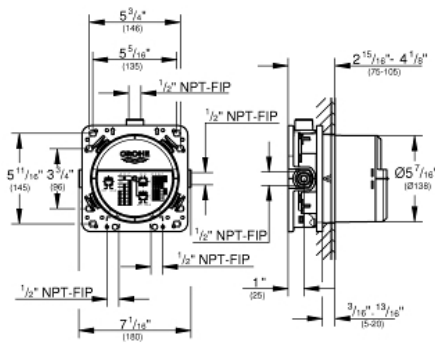
- 3 outlets 1/2" Female NPT
- 2 inlets 1/2" Female NPT
- Installation depth 3"-4" (75-105 mm)
- Pre-mounted flushing plug
- Stable built-in box and plaster guard
- Mounting options for solid walls and dry walls
- Trim not included

### Applicable Codes & Standards:

- ASME A112.18.1/CSA B125.1

### Color:

- 35601000 StarLight Chrome



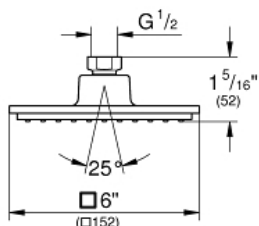
# EUPHORIA CUBE 150 Head Shower 1 Spray

MODEL # 26468000

*Pure Freude an Wasser*

**GROHE**

GROHE America, Inc | 200 North Gary Avenue, Suite G, Roselle, IL 60172  
Phone: +1 (800) 444-7643 | Fax: +1 (800) 225-2778 | us-customerservice@grohe.com



## Product Description: Head Shower 1 Spray

### Standard Specification:

- Rain spray pattern (1 spray-rain)
- 6" x 6"
- Ball-joint
- Rotation angle  $\pm 12^\circ$
- 1/2" Connection thread
- **GROHE EcoJoy** 1.8 gpm (6.6 l/min) flow limiter
- **GROHE DreamSpray** perfect spray pattern
- **GROHE StarLight** chrome finish
- **SpeedClean**<sup>®</sup> anti-lime system
- Inner WaterGuide for a longer life
- Suitable for instantaneous heater

### Color:

- 26468000 StarLight Chrome

RAINSHOWER®  
12" Shower Arm with Square  
Flange

MODEL # 27489

GROHE America, Inc | 200 North Gary Avenue, Suite G, Roselle, IL 60172  
Phone: +1 (800) 444-7643 | Fax: +1 (800) 225-2778 | us-customerservice@grohe.com

*Pure Freude an Wasser*



**Product Description:**  
12" Shower Arm with Square Flange

**Standard Specification:**

- GROHE StarLight® finish
- 1/2" NPT Male Threads
- With square escutcheon
- Can be used with all Rainshower shower heads except Rainshower Jumbo

**Applicable Codes & Standards:**

- ASME A112.18.1/CSA B125.1

**Color:**

- 27489 000 chrome

