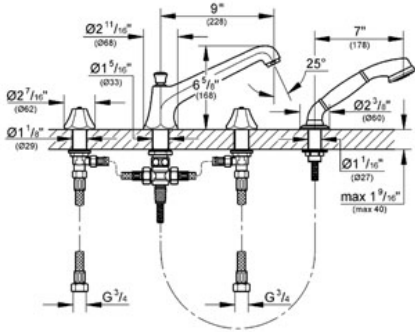


SOMERSET
Four-hole bath combination
MODEL # 25077

Pure Freude an Wasser



GROHE America, Inc | 200 North Gary Avenue, Suite G, Roselle, IL 60172
Phone: +1 (800) 444-7643 | Fax: +1 (800) 225-2778 | us-customerservice@grohe.com



Product Description:
Four-hole bath combination

Standard Specification:

- GROHE StarLight® finish
- Side valves with 1/2" ceramic cartridges
- Diverter bath spout with flow control
- Handshower
- Shower hose (28 102)
- 79"
- Pressure resistant flexible connection hoses (between spout and side valves)
- Handles sold separately
- Lever Handles 18 172 000 & 18 172 EN0 (sold separately)
- Max Flow Rate 13.2 gpm (50 L/min)

Applicable Codes & Standards:

- Energy Policy Act of 1992
- ASME A112.18.1/CSA B125.1

Color:

- 25077 000 chrome
- 25077 EN0 Brushed Nickel

