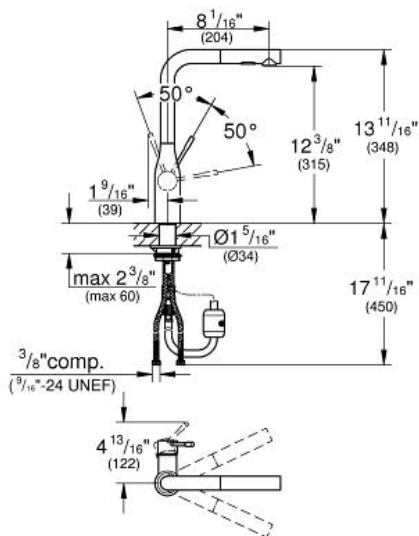
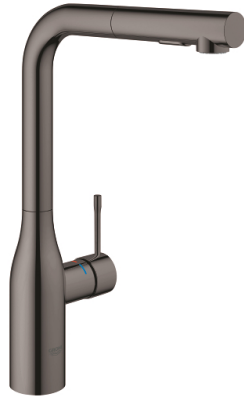


ESSENCE
Single-Handle Kitchen Faucet
MODEL # 30271A00

Pure Freude
an Wasser

GROHE



ADA



Product Description:
ESSENCE
Single-Handle Kitchen Faucet

Standard Specification:

- High spout
- Single hole installation
- **GROHE StarLight** finish
- **GROHE SilkMove** 1.1" (28 mm) ceramic cartridge
- **Pull-out Dual Spray Control** - switches back and forth between regular flow and spray
- Diverter: laminar spray/SpeedClean shower jet
- Automatic return to laminar spray
- Swivel Spout
- Swivel area 360°
- Integrated non-return valve
- Check valve included to prevent backflow
- Stainless steel flex lines
- Quick installation system
- Min. recommended pressure: 15 psi (1.0 bar)
- 1.75 gpm

Applicable Codes & Standards:

- Energy Policy Act of 1992
- NSF 61
- ASME A112.18.1/CSA B125.1
- US Federal and State material regulations
- ICC/ANSI A117.1
- CalGreen
- NSF 372
- MASS

Color:

- 30271A00

Adaptor

MODEL # 30310

Pure Freude an Wasser

GROHE

GROHE America, Inc | 200 North Gary Avenue, Suite G, Roselle, IL 60172
Phone: +1 (800) 444-7643 | Fax: +1 (800) 225-2778 | us-customerservice@grohe.com



Product Description:

Adaptor

Standard Specification:

- Foot control: activation of water via contact with sensor
- 6 V lithium-battery supply (type CR-P2)
- **CE approved**
- Solenoid valve
- Fixed value mixing valve
- Automatic safety stop after 60 sec. (factory set)
- Retro-fit upgrade set compatible with all GROHE pull-out and pull-down kitchen faucets: K7® (32 178), LadyLux® (32 298, 32 226, 32 283, 33 893, 32 245, 32 256, 33 755, 33 759), Minta™ (32 319, 31 378), Bridgeford® (33 870), Concetto (32 665, 31 479, 31 453), Essence New (30 271), Parkfield® (30 213, 30 296), Eurodisc®/Eurodisc® Cosmopolitan (33 330), Europlus (32 946) and Alira (32 999)

Color:

- 30310 000 chrome