

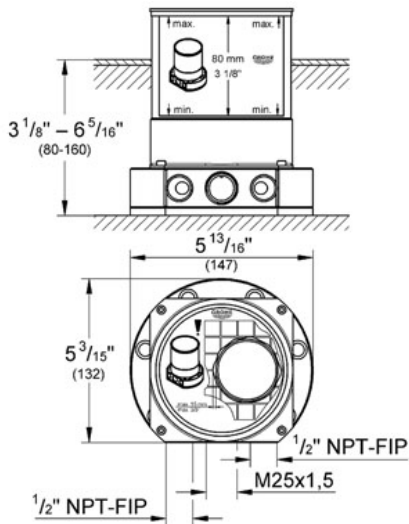
Roughing-in set

MODEL # 29038

Pure Freude an Wasser



GROHE America, Inc | 200 North Gary Avenue, Suite G, Roselle, IL 60172
Phone: +1 (800) 444-7643 | Fax: +1 (800) 225-2778 | us-customerservice@grohe.com



Product Description: Roughing-in set

Standard Specification:

- For floor-mounted bath spout
- Without finishing trim set
- Installation plate for precise fitting
- Floor equalization (0- 3 1/8")
- 1/2" mixed water connection
- Plug
- Mounting material
- For floor-mounted bath spout and bath mixer

Applicable Codes & Standards:

- Energy Policy Act of 1992
- ASME A112.18.1/CSA B125.1

Color:

□ 29038 000