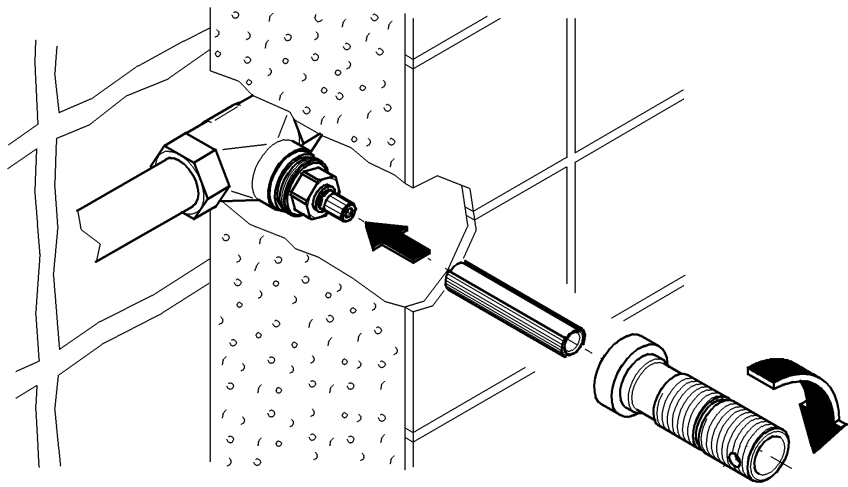
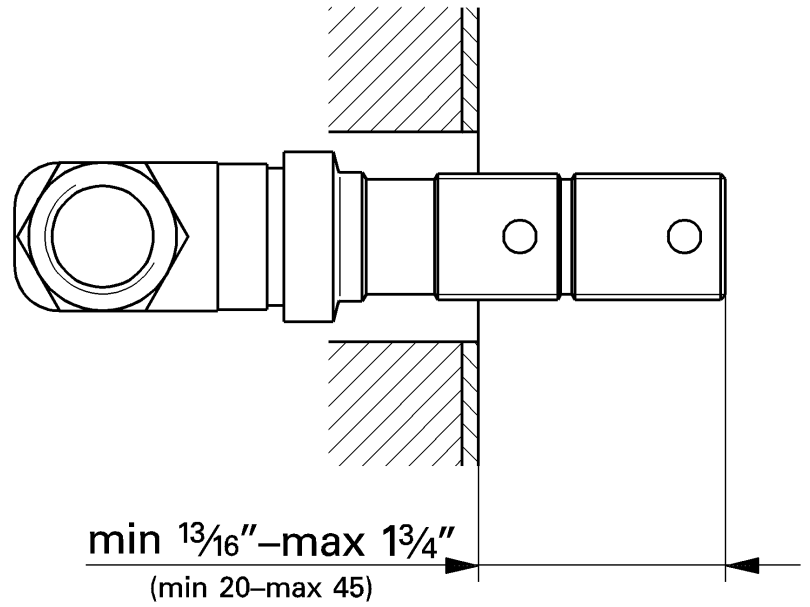




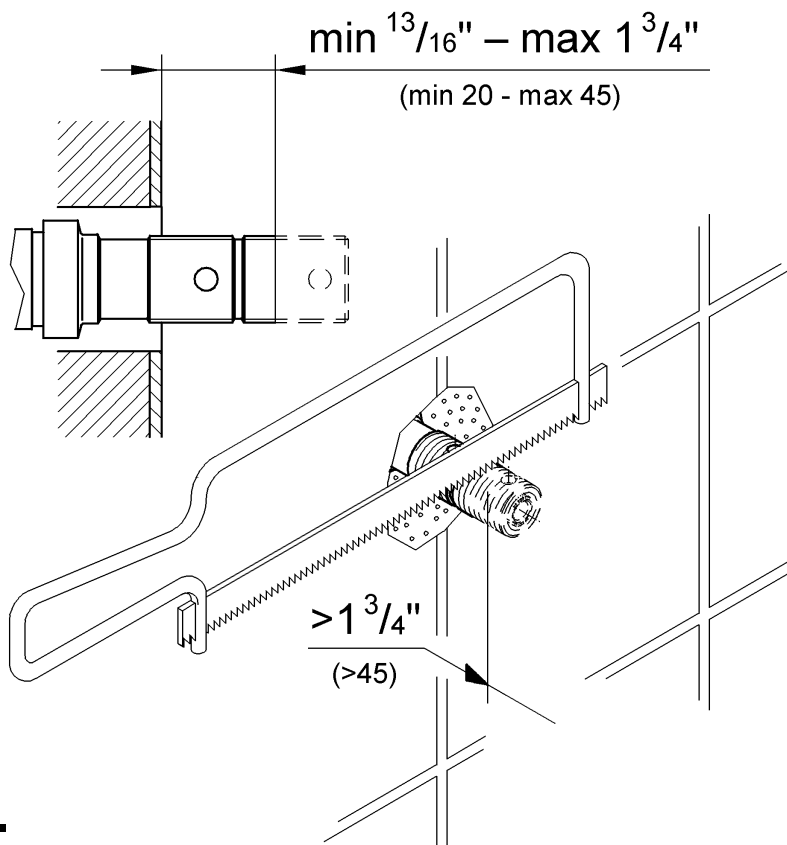
WATER TECHNOLOGY



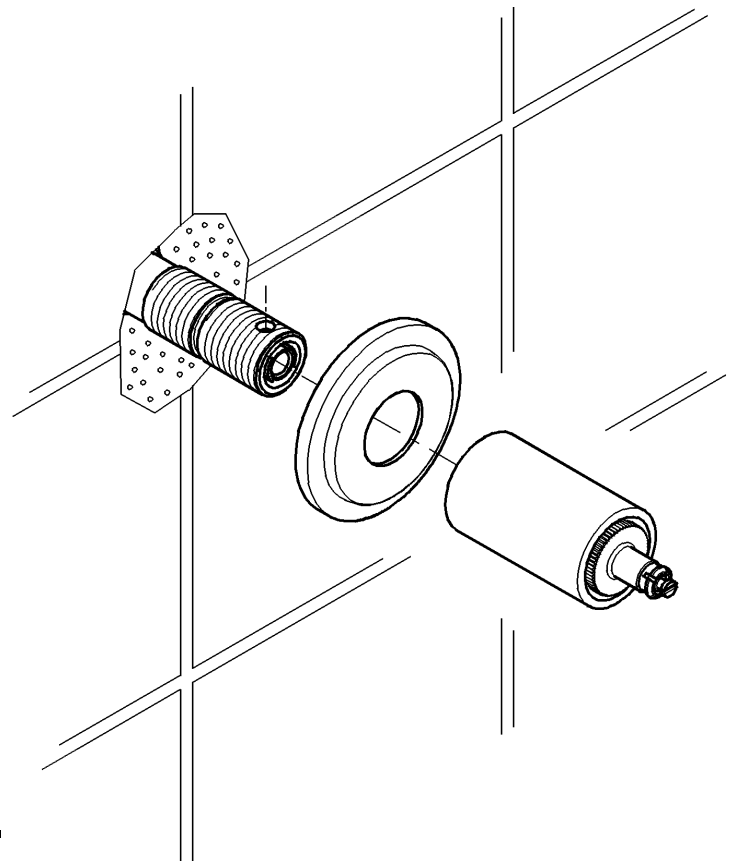
1.



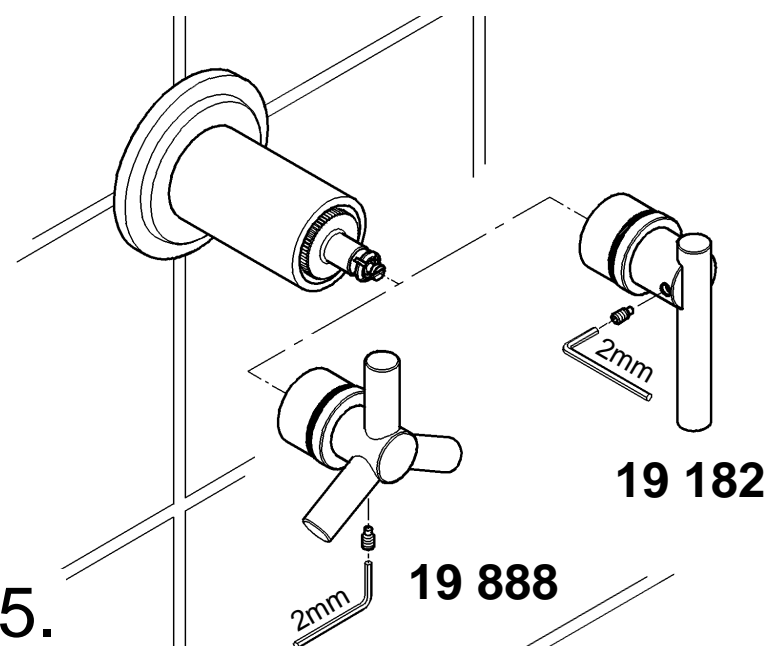
2.



3.



4.



5.

