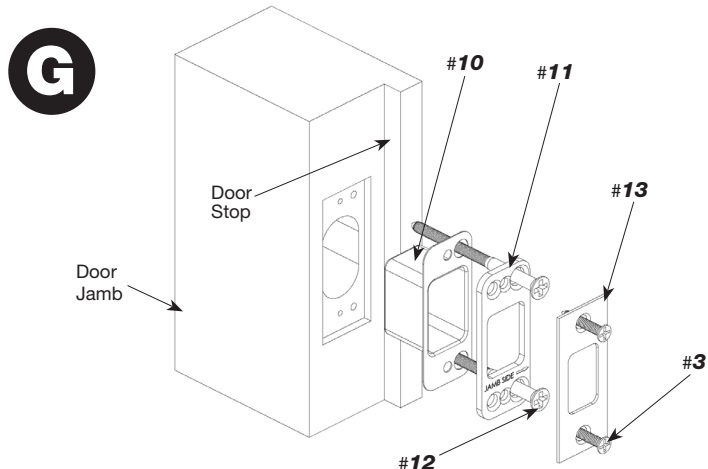
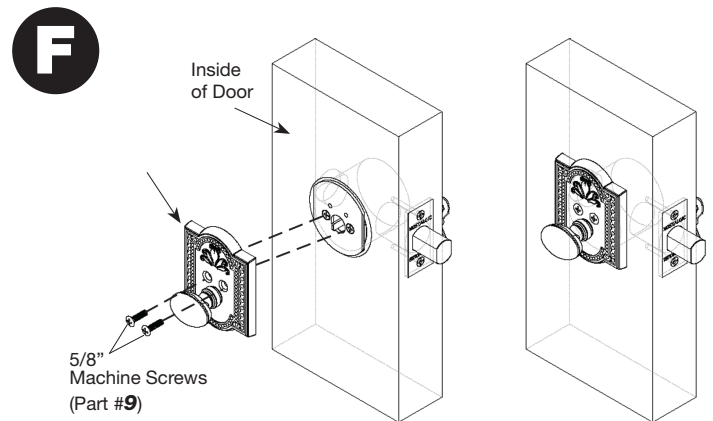
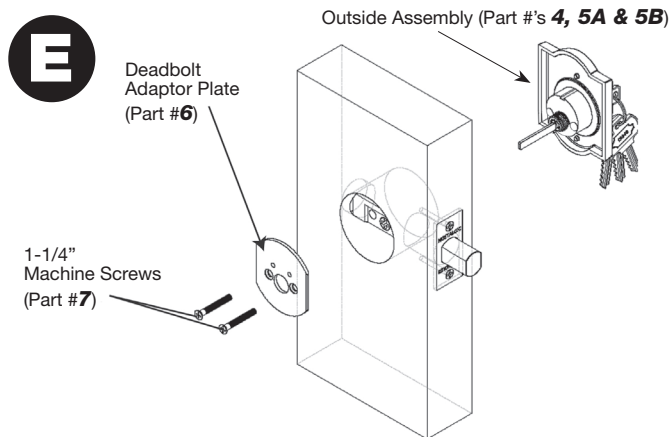
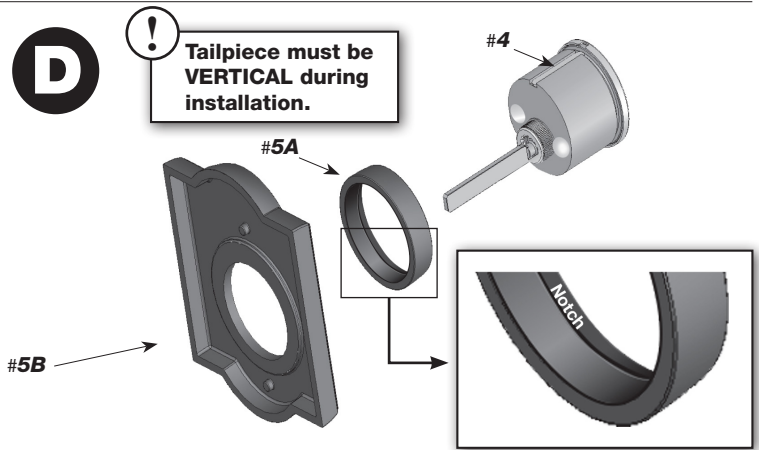
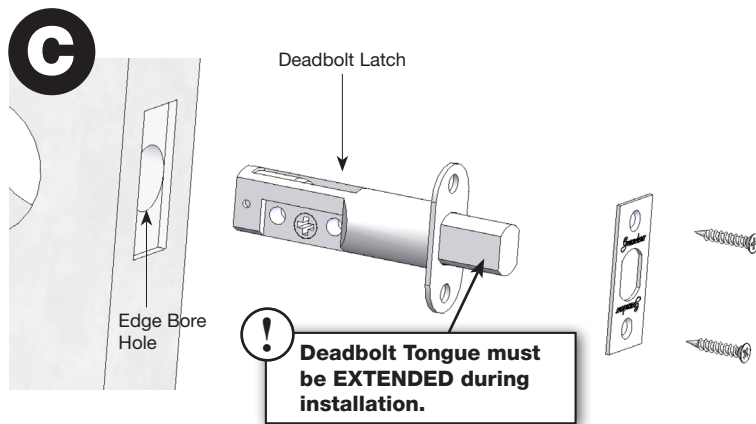
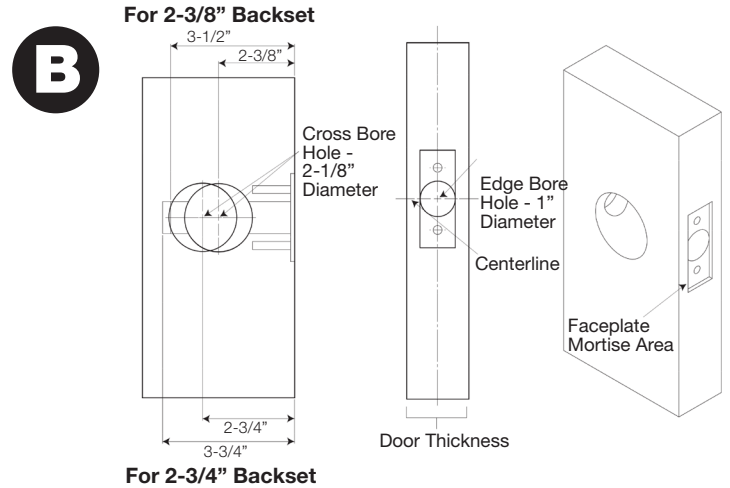
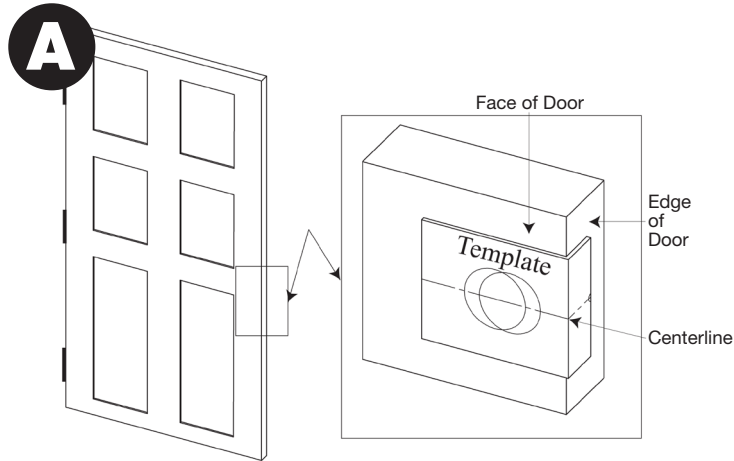


# Door Hardware Installation Instructions

Updated September 2013

# Single Cylinder Deadbolt

*NOTE: Deadbolts fit doors 1-3/4" to 2-1/4" thick.  
For thicker doors, please call customer service.*



*Grandeur*  
By NOSTALGIC  
WAREHOUSE.

For Assistance  
Call:

1-800-522-7336

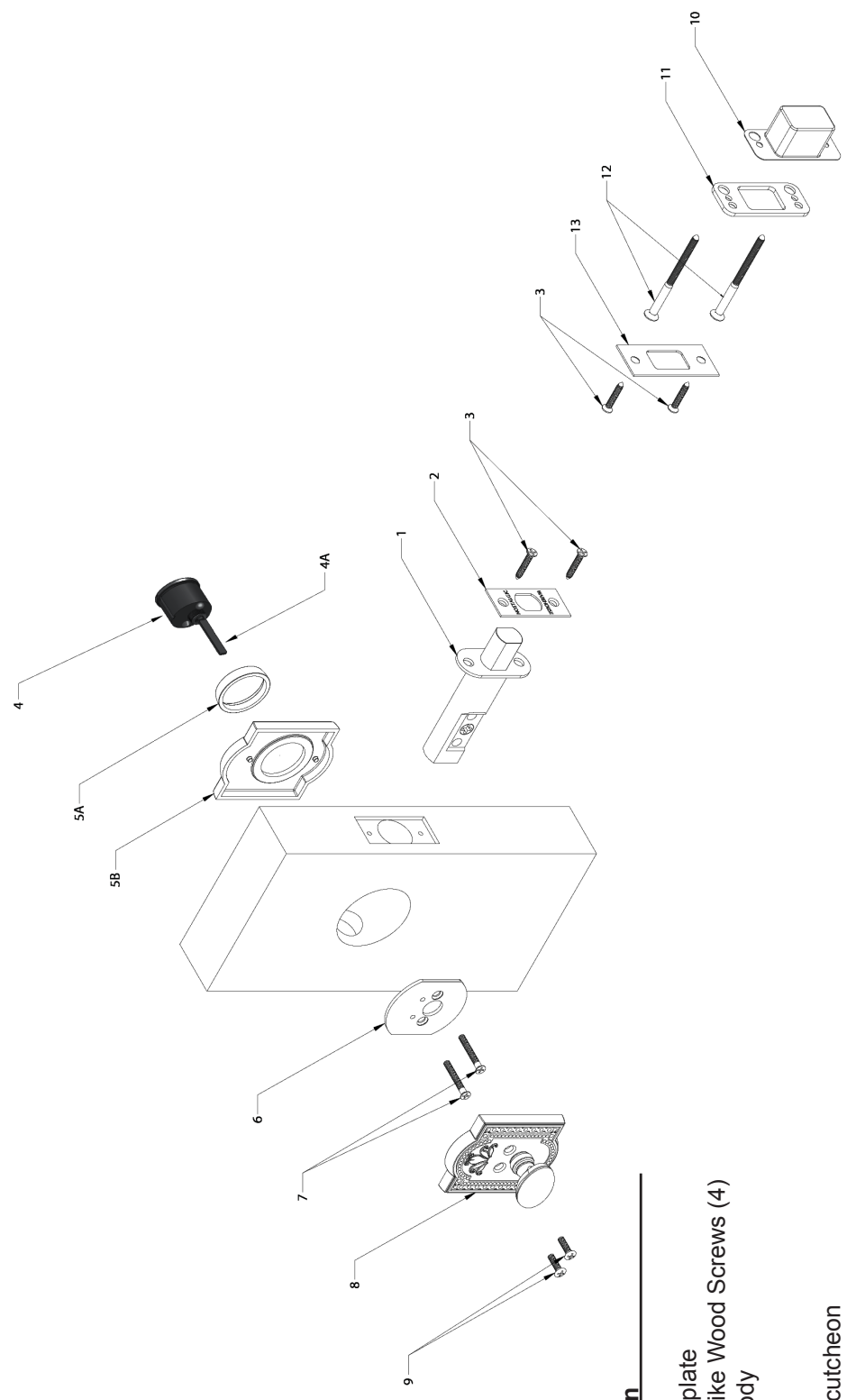
8 am - 5 pm, Monday - Friday, MST

# Door Hardware Installation Instructions

# Single Cylinder Deadbolt

*NOTE: Deadbolts fit doors 1-3/4" to 2-1/4" thick.  
For thicker doors, please call customer service.*

## Single Cylinder Deadbolt Exploded Parts Drawing



Part #	Part Description
1	Latch
2	Latch Faceplate
3	Latch & Strike Wood Screws (4)
4	Cylinder Body
4A	Tailpiece
5A	Spin Ring
5B	Outside Escutcheon
6	Deadbolt Adapter Plate
7	1-1/4" Machine Screws (2)
8	Thumbturn Assembly
9	5/8" Thumbturn Machine Screws (2)
10	Dust Box
11	Door Frame Reinforcer
12	3" Reinforcer Wood Screws (2)
13	Strike Plate



For Assistance Call: 1-800-522-7336

8 am - 5 pm, Monday - Friday, MST  
Page 2 - PK147 Rev.1 09092013