

G-3896-C2

Canterbury Collection

Exposed Floor-Mounted Tub Filler with Handshower Set

GRAFF®



Product Features

- Includes matching handshower
- Handshower with metal handle
- Handshower flow rate ≤ 1.5 max gpm
- Spout flow rate ~ 9 gpm @45 psi
- Includes 59" shower hose
- Includes floor-mounted pillar unions

Warranty

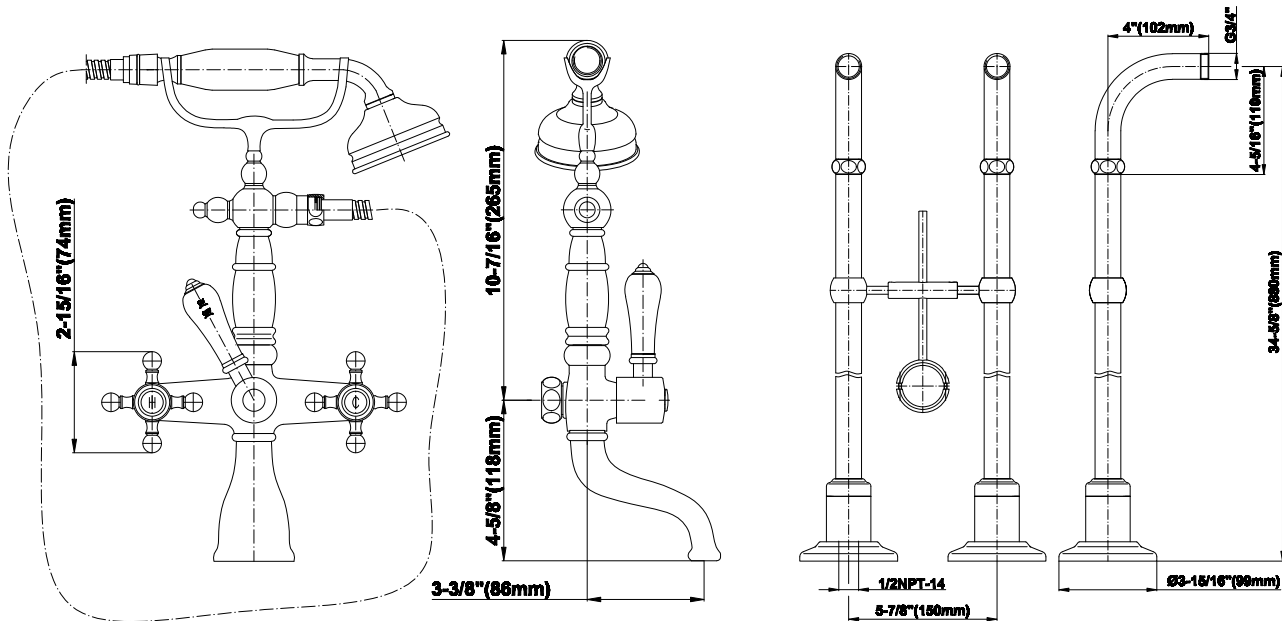
- Limited lifetime warranty

For complete warranty information go to www.graff-designs.com/en-nam/warranty

Available Finishes

- Polished Chrome
G-3896-C2-PC
- Polished Nickel
G-3896-C2-PN
- Steelnox (Satin Nickel)
G-3896-C2-SN
- Olive Brass
G-3896-C2-OB
- Vintage Brushed Brass*
G-3896-C2-VBB*
- 24K Brushed Gold*
G-3896-C2-BAU*
- 24K Gold*
G-3896-C2-AU*

* Special order finish- call for availability



The measurements shown are for reference only. Products and specifications shown are subject to change without notice. Revised 9/2019

www.graff-designs.com | phone: 800-954-4723