

# GOLDEN LIGHTING ASSEMBLY AND INSTALLATION INSTRUCTIONS

**CAUTION**  
Read instructions carefully and turn electricity off at main fuse box before beginning installation

## INSTALLATION (See Fig. A)

1. Disconnect power at main electrical panel before installation.
2. Threaded mounting screws into the same side of the mounting strap as the green ground screw.
3. Guide fixture wires through the center hole of mounting strap.
4. Follow wiring instructions carefully (listed below).
5. Attach mounting strap to outlet box using box screws provided with outlet box.
6. Mount fixture by aligning mounting holes in pan with mounting screws, positioning the mounting screw heads through the large openings of the keyhole shaped slots. rotate the fixture to seat the mounting screws. tighten mounting screws securely.
7. Install lamp(s) into socket(s).
8. Thread hexnut onto pipe nipple, leaving sufficient threads exposed. Thread pipe nipple into coupling, and secure by tightening hexnut to coupling.
9. Position glass shade on the fixture, allowing pipe nipple to pass through center hole in glass shade, and secure with bobech and finial.

DO NOT OVER-TIGHTEN!

## Wiring (See Fig. B)

1. Split the conductors of the fixture wire about 4 inches. Being careful not to expose any of the wire inside of the insulation.
2. Connect the fixture ground wire to the outlet box ground wire using wirenut (not provided). Connect outlet box ground wire to mounting plate with green hex-head ground screw to tapped hole in mounting strap marked "GND".
3. Connect the half of the fixture wire that is white, marked, or has a ribbed surface to the outlet box supply wire (WHITE). Connect the other half of the fixture wire that is black, unmarked, or has a smooth surface to the outlet box supply wire (BLACK or RED). Use wirenuts provided.
4. Spread the electrical splices so that the black wires are on one side of the outlet box and the white wires are on the other side.

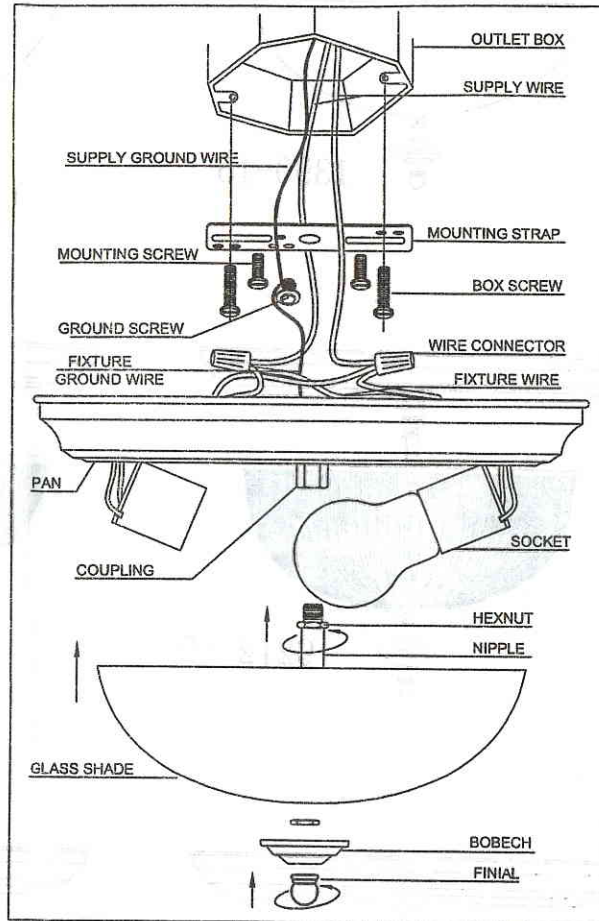


Fig. A

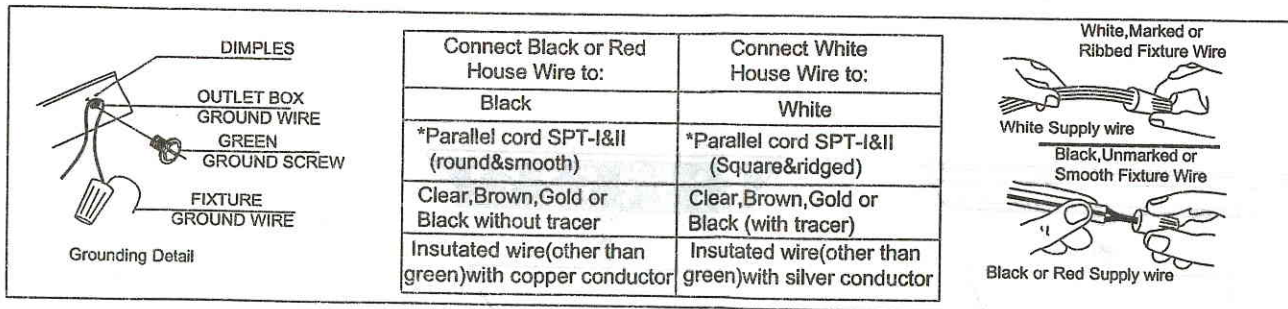
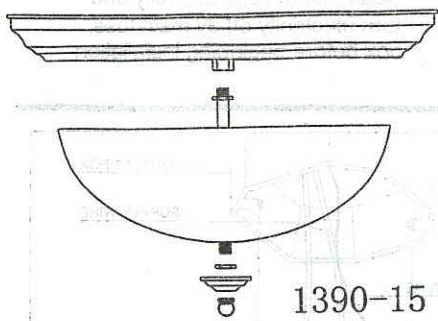
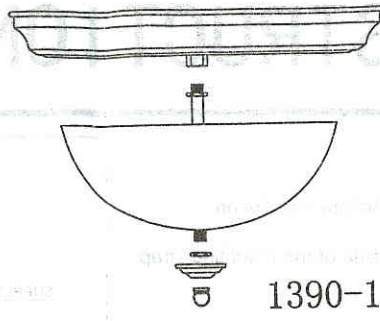


Fig. B

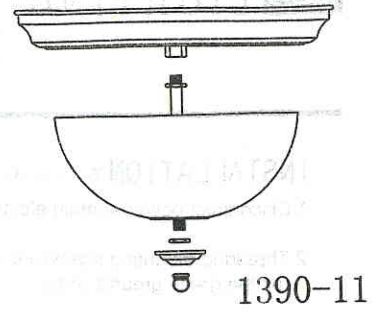
**WARNING: RISK OF FIRE FOR SUPPLY CONNECTIONS USE WIRE RATED FOR AT LEAST 90 ° C MOST DWELLINGS BUILT BEFORE 1985 HAVE SUPPLY WIRE RATED 60 ° C. CONSULT A QUALIFIED ELECTRICIAN BEFORE INSTALLING.**



1390-15



1390-13



1390-11



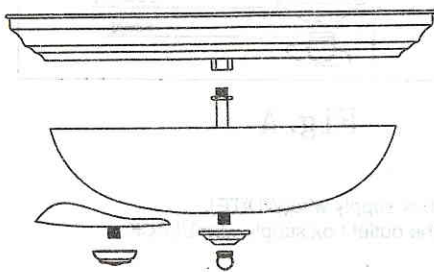
9212-15



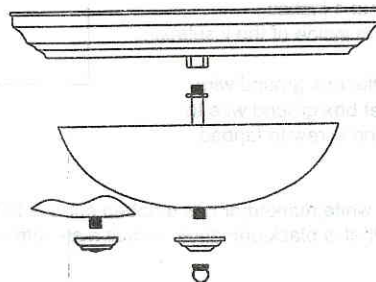
9212-13



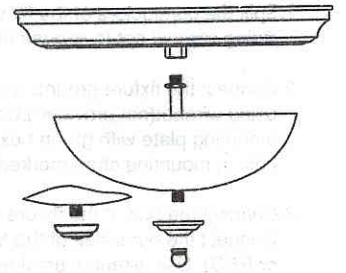
9212-11



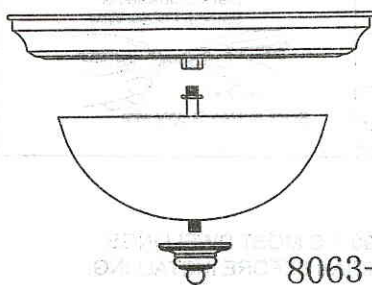
1260-15



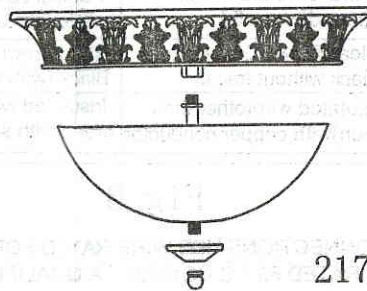
1260-13



1260-11



8063-13



2177-13