

PARTS & ASSEMBLY SHEET


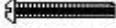



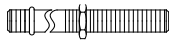



Fixture Name: Pemberley Court 1089-FM RSB

This fixture assembled PO: _____ Date: _____

Notice: Please review the parts listing and check for all parts before assembling the fixture. If any parts are missing or damaged, please note on this sheet and contact the place of purchase to arrange for replacement parts.

PARTS LIST

Company Name: _____ Co. Account #: _____
to be filled out by retailer

Mounting strap  1ea L4**H1.5mm	Mounting screw  2ea 8/32-IP*H1"	Mounting screw  2ea 8/32-IP*H1-1/2"
Hex nut  1ea 3/8-IP*H3mm	Wire connector  3 ea P4 Orange	Stem With Hex Nut  1ea @3/8 x 135mm
Bottom cap  1ea Φ70*H26mm	Finial & Deco Nut  1ea /2ea 3/8-IP*H25mm/10x 9.5mm	Flat Washer Rubber Washer  2ea/2ea @2" x 2mm

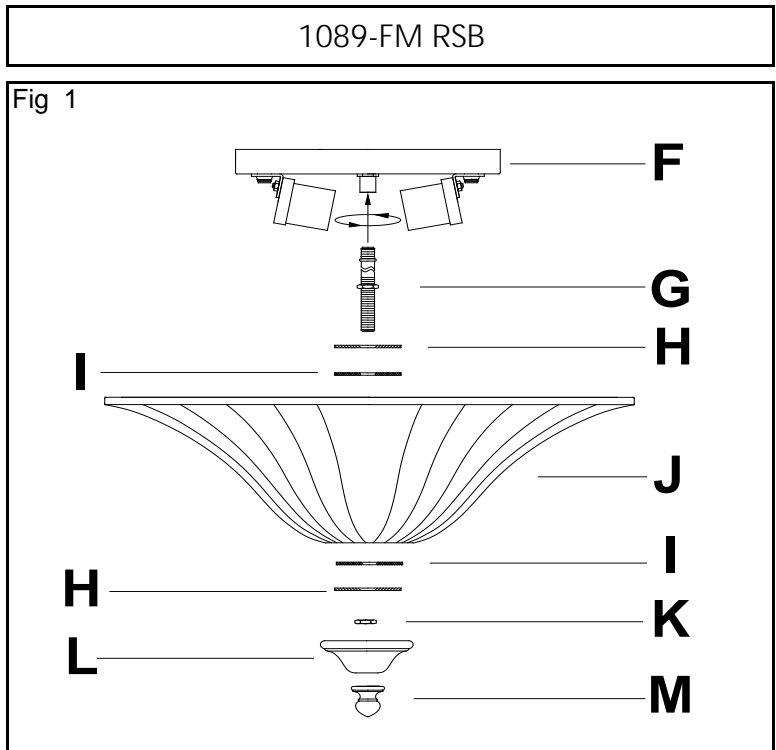
Part Needed _____	Quantity _____
Part Needed _____	Quantity _____
Reason why (missing, scratched, broken glass, bent, bad finish)	
Comments _____	

FIXTURE ASSEMBLY INSTRUCTIONS

Read and review installation instruction sheet before assembling the fixture.

1. Thread the Stem With Hex Nut (G) into the Coupling of the Ceiling Pan (F) until tight.
2. Install the lighting bulbs in accordance with the fixture's specification .
3. Place the Flat Washer (H), Rubber Washer (I), Glass Shade (J, Rubber Washer (I), Flat Washer (H) over the Stem With Hex Nut (G) and thread Hex Nut (K) until tight.
4. Slide Bottom Cap (L) over Stem With Hex Nut (G) and thread the Finial (M) until tight.

(DO NOT EXCEED MAXIMUM WATTAGE RATING!)
NOTE: INSTALL THE GLASS ASSEMBLY AFTER THE FIXTURE IS HUNG.



For Customer Service, contact the place of purchase to arrange for replacement parts.

WARNING ! SHUT OFF POWER AT FUSE OR CIRCUIT BREAKER.

HANGING THE FIXTURE (Fig. 1)

1. Carefully remove the new fixture from the carton and the yellow bag that holds all your parts. Check that all parts are included as shown in the illustration and parts list.
2. Shut off power at the circuit breaker and remove the old fixture from wall, including the old mounting strap.
3. The Mounting Strap (B) contains several pairs of threaded holes. Find the pair of holes that matches the holes spacing in your Canopy (F) and thread the two Mounting Screws (A) halfway into the Mounting Strap (B).
4. Place the Mounting Strap (B) over the junction box so the Mounting Screws (A) are vertical.
5. Attach the Mounting Strap (B) to the junction box by using the two Mounting Screws (C). Tighten the screws securely.

CONNECTING THE WIRES (Fig. 2)

6. Take the black wire from the ceiling junction box and the smooth wire leg from the fixture and twist bare ends together. Twist wire connector onto end of wires until snug.
7. Repeat same process with white junction box wire and ribbed wire of fixture.

NOTE: Twist wires together in the same direction you twist the wire connector onto wires.

8. If your junction box has a grounding wire (green or bare copper), attach this wire and the bare copper wire from the fixture together as in step 7. If junction box has no ground wire, attach the bare copper fixture wire to the junction box with a screw.
9. Tuck these wire connections neatly into the junction box.

FINISHING THE INSTALLATION (Fig. 3)

10. Place the fixture's Canopy (F) over the Mounting Strap (B) and over the Mounting Screws (A). Adjust the fixture canopy until the Mounting Screws (A) protrude out from the canopy. Secure the fixture against the ceiling by threading the Decorative Nuts (E) on until tight.
11. Install the light bulbs and glass shade according to the fixture assembly sheet.

YOUR INSTALLATION IS NOW COMPLETE. RETURN POWER TO THE JUNCTION BOX AND TEST THE FIXTURE.

Fig. 1

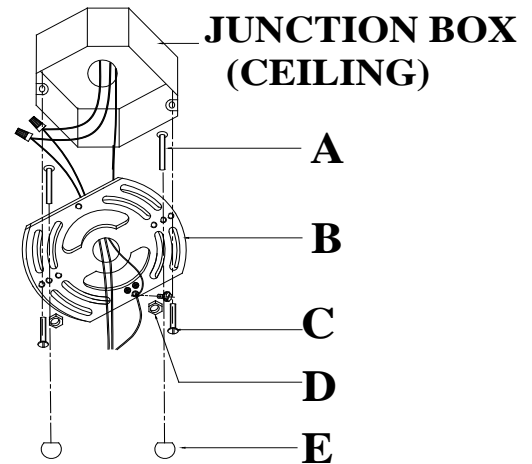


Fig. 2

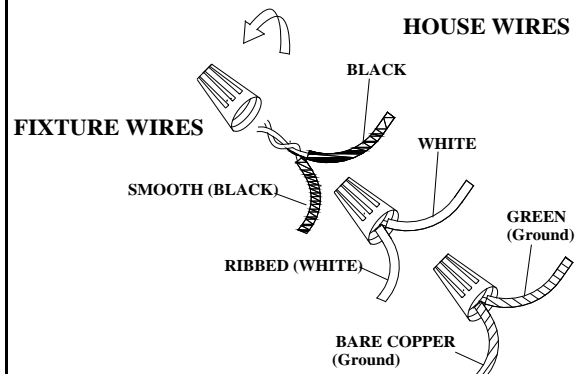


Fig. 3

