

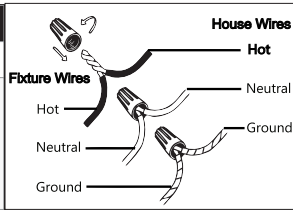
# Assembly Instructions: 3602-14 (Duncan)

## IMPORTANT:

- ALL INSTALLATION WORK SHOULD BE DONE BY ACCREDITED PROFESSIONAL.
- SHUT OFF POWER SUPPLY AT FUSE OR CIRCUIT BREAKER!
- USE ONLY THE SPECIFIED BULBS. DO NOT EXCEED THE MAXIMUM WATTAGE!

For Customer Service, contact the place of purchase.

How to Identify the Fixture's Wires		
Hot	Neutral	Ground
Smooth	Ribbed	Bare Metal, Green, or Green Inner Thread
Black	White	
Black Inner Thread	White Inner Thread	



## PREPARING FOR INSTALLATION

Remove all of the contents from the carton. See the important notes above. Shut off the power at the circuit breaker and completely remove the old fixture from the ceiling, including the old mounting strap.

1. From the parts bag remove the mounting strap assembly. One end of nipple (F) should be attached to mounting strap (B) with washer and hex nut (C and C1) in place. Attach mounting strap (B) to the junction box using mounting screws (D) and a screwdriver. Tighten securely.

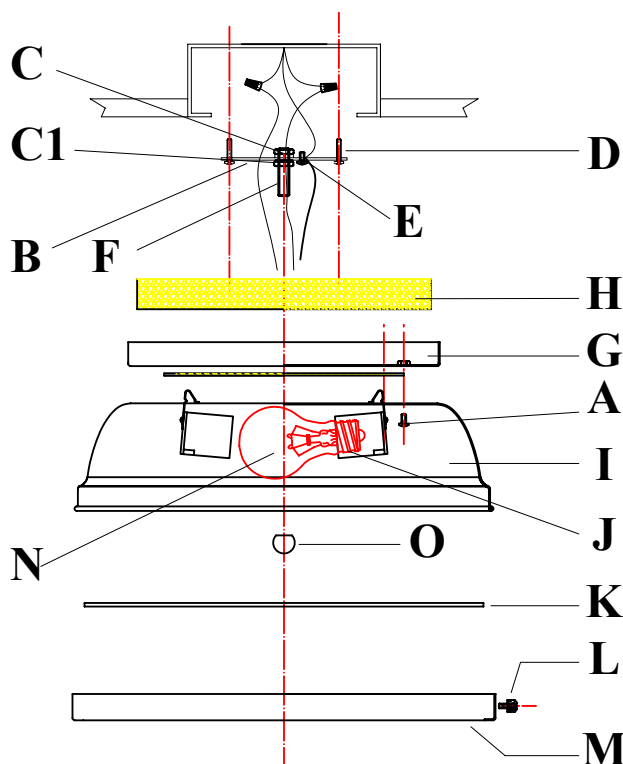
## CONNECTING THE WIRES

2. Have an assistant support the fixture's weight while completing the wiring. Refer to the wiring diagram and attach the fixture's wires to the power supply wires from the junction box. Connect Hot to Hot (transparent wire with black inner thread, black, or smooth wire) Neutral to Neutral (transparent wire with white inner thread, white, or ribbed wire), and Ground to Ground (transparent wire with green inner thread, green wire, or copper). Twist the ends of the wire pairs together, and then twist on a wire connector. Make sure all twists are in the same direction. If there is no house ground wire coming from the junction box, locate ground screw (E) on the mounting bracket/mounting strap and wrap the fixture's ground wire around the ground screw. Use a screwdriver to tighten the top of ground screw (E) onto the wires and into the mounting bracket/mounting strap. Tuck the wires into the junction box.

## FINISHING THE INSTALLATION

3. Unscrew screws (L). Remove diffuser and metal ring (K and M). Avoid touching the insulation (H) with your bare hands. Raise the top of ceiling pan (G) to mounting strap (B). Position nipple (F) so that it protrudes through the center of ceiling pan (G). Secure fixture (G) to mounting strap (B) by threading decorative nut (O) onto nipple (F). Tighten securely.
4. Push shade (I) up to ceiling pan (G). Twist screw (A) into ceiling pan (G). Secure in place by twisting shade (I) so that the key hole locks onto screw (A). Install light bulbs (not provided) in accordance with the fixture's specifications. Do not exceed the maximum wattage.
5. Place diffuser (K) into metal ring (M). Raise metal ring (M) up beneath shade (I) and twist screws (L) into each screw hole of metal ring (M) securing it to the shade. Twist until secure.

Your installation is now complete. Turn on the power and test the fixture.



## CLEANING TIPS

Treat the fixture gently! Regular cleaning will reduce the need for deep cleaning. For regular cleaning, turn off the light and wipe down the fixture with a clean lint-free cotton or microfiber cloth. Never spray cleaner directly onto the fixture.