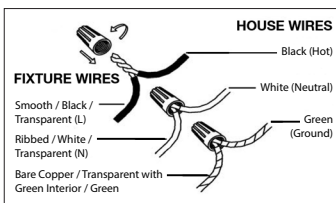
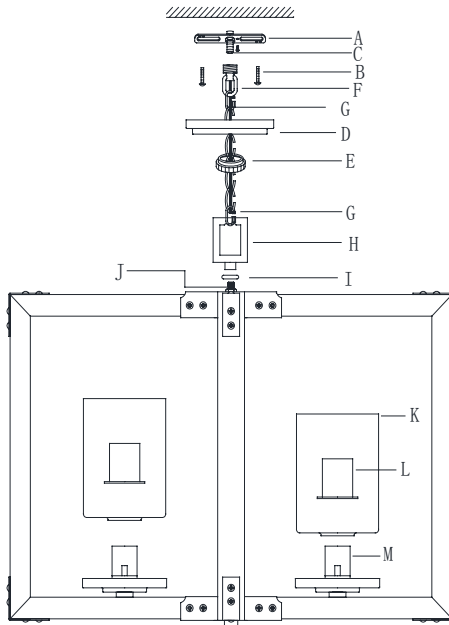


# Assembly Instructions: 7804-4 (Eastwood)

## IMPORTANT:

- ALL INSTALLATION WORK SHOULD BE DONE BY ACCREDITED PROFESSIONAL.
- SHUT OFF POWER SUPPLY AT FUSE OR CIRCUIT BREAKER!
- USE ONLY THE SPECIFIED BULBS. DO NOT EXCEED THE MAXIMUM WATTAGE!

For Customer Service, please contact the place of purchase.



## 1. PREPARING FOR INSTALLATION

Please Note: The cage and light source are pre-assembled. Remove all of the contents from the carton. See the important notes above. Shut off the power at the circuit breaker and completely remove the old fixture from the ceiling, including the old mounting strap.

From the parts bag remove the mounting strap assembly. One end of nipple (C) should be attached to mounting strap (A) with a hex nut and washer in place. The other end should have canopy loop (F) attached.

Match the threaded holes of mounting strap (A) to the spacing of the holes on the junction box. Attach mounting strap (A) to the junction box using mounting screws (B) and a screwdriver. Tighten securely. Unscrew canopy loop collar (E) from canopy loop (H). Pass canopy (D) over the mounted canopy loop to test the height. Approximately half of the canopy loop's exterior threads should be exposed, and the canopy loop collar should fit snugly onto the canopy loop. Remove canopy (D) and adjust the height of nipple (F) and canopy loop (H) until the desired height is reached.

## 2. ASSEMBLING THE FIXTURE

Screw spacer (I) and top loop (H) onto the threads of post (J). By measuring, determine the correct number of chain links needed for proper hanging height. If necessary, use a pair of pliers to open and remove any excess chain. Attach one chain connector (G) to each end of the chain. Use one of chain connectors (G) to attach the to top loop (H) and close the chain connector. Feed the fixture's wires up through the chain (every three links or so), pulling the wires until taut. Slide canopy loop collar (E) and canopy (D) onto the chain and wires. Use the free chain connector (G) to attach the chain to the canopy loop.

## 3. CONNECTING THE WIRES

Have an assistant support the fixture's weight while completing the wiring. Cut away excess wire. Thread the fixture's wires through canopy loop and nipple. Attach the fixture's wires to the power supply wires from the junction box. Connect black to smooth/black/transparent (L) wire; white to ribbed/white/transparent (N) wire; ground to ground (green or copper). Twist the ends of the wire pairs together, and then twist on a wire connector. Make sure all twists are in the same direction. If there is no ground wire (green or copper) from the junction box, locate ground screw on mounting strap (A) and wrap the fixture ground wire around the green ground screw. Use a screwdriver to secure ground screw onto the mounting bracket/mounting strap. Tuck all wires neatly into the junction box.

## 4. FINISHING THE INSTALLATION

Push canopy (D) up to the ceiling and slide canopy loop collar (E) up beneath the canopy. Tightly thread canopy loop collar (E) onto canopy loop (F) to secure canopy (D) in place.

Slide glass shades (K) over sockets (M) and secure in place with socket covers (L).

Install bulbs (not included) in accordance with the fixture's specifications. Do not exceed the maximum wattage.

Your installation is now complete. Turn on the power and test the fixture.

## CLEANING TIPS

Treat the fixture gently! Regular cleaning will reduce the need for deep cleaning. For regular cleaning, turn off the light and wipe down the fixture with a clean lint-free cotton or microfiber cloth. Never spray cleaner directly onto the fixture.